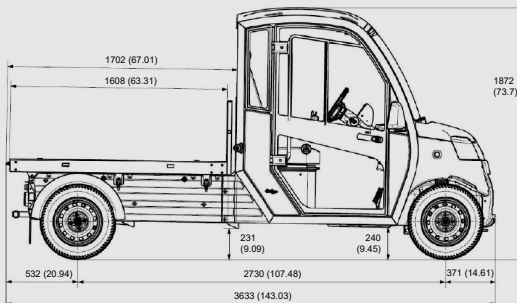
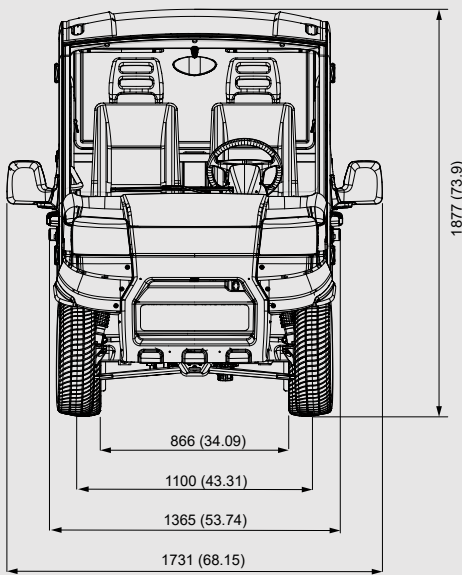


SHORT WHEEL BASE



LONG WHEEL BASE

| | LONG WHEEL BASE | SHORT WHEEL BASE |
|--|-----------------|------------------|
|--|-----------------|------------------|

| | | |
|--------------------------|--------------------------------------|--|
| MOTOR | 48V High efficient 3-phase AC engine | |
| NOMINAL POWER | 8 kW (10,7 hp) | |
| PEAK POWER | 14,3 kW (19,2 hp) | |
| MAX TORQUE | 55 Nm | |
| MOTOR CONTROLLER | Curtis 350 A | |
| CHASSIS | Hot dip galvanized steel frame | |
| BRAKES | Discs front, drums rear | |
| SUSPENSIONS | Independent coil over | |
| TIRES | 165/70 R13 | |
| TOW LOAD CAPACITY | 250 kg | |

PERFORMANCE

| | | |
|------------------------|------------------|--|
| TOP SPEED | 30 km/h (19 mph) | |
| OPERATING GRADE | < 20 % | |

MASS

| | | |
|--|----------------------|----------------------|
| MAX. GROSS PAYLOAD | 1 000 kg (2 205 lbs) | 500 kg (1 102 lbs) |
| MASS IN RUNNING ORDER* | 495 kg (1 091 lbs) | 491 kg (1 082 lbs) |
| TECHNICALLY PERMISSIBLE MAX. MASS | 1 850 kg (4 079 lbs) | 1 350 kg (2 976 lbs) |

DIMENSIONS

| | | |
|---|-------------------------------------|-------------------------------------|
| LENGTH | 3 633 mm (143 in) | 3 272 mm (129 in) |
| LENGTH WITH ADDITIONAL CHASSIS EXTENSION | 4 149 mm (163 in) | 3 635 mm (143 in) |
| WIDTH (W/ W.O. MIRRORS) | 1 731 mm (68 in) / 1 365 mm (54 in) | 1 731 mm (68 in) / 1 365 mm (54 in) |
| HEIGHT | 1 877 mm (74 in) | 1 877 mm (74 in) |
| WHEELBASE | 2 730 mm (107 in) | 2 130 mm (84 in) |
| OUTER TURNING RADIUS | 4 250 mm (13,94 feet) | 3 400 mm (11,15 feet) |

BED OPTIONS

| | | |
|-------------------|---------------------------------|--|
| PICKUP BED | 1,6 and 2,1 m fixed + tipping | 1,25 m fixed + tipping and 1,6 m fixed |
| VAN BOX | 2,1, 2,8 and 4,1 m ³ | 1,6 and 2,1 m ³ |

STANDARD FEATURES

Digital instrument cluster, speed switch, rear lights, rear fog light, secure storage locker, dash storage compartment, automatic parking brake, safety cab, 3 pt seat belts, rear bumper, horn, all season road tyres, bench seat, reverse buzzer

OPTIONAL FEATURES

Lockable cab door, adjustable twin seats, deluxe cab pack, right hand drive, tow ball, cab heater, stereo + USB plug, refrigerator, reverse camera, roof beacon, heated windscreen, mirror pack, wash wipe pack

BATTERY

| | SHORT & LONG WHEEL BASE | | | |
|---------------------|-------------------------|------------------|-------------------|-------------------|
| CAPACITY | T145 FLA (11,5 kWh) | 6 kWh | 10,2 kWh | 13,6 kWh |
| VOLTAGE | 48 V | 51,2 V | 51,2 V | 51,2 V |
| WEIGHT | 264 kg (582 lbs) | 62 kg (137 lbs) | 137 kg (302 lbs) | 150 kg (331 lbs) |
| CHARGE TIME | 8 hrs | 6 hrs | 6-8 hrs | 8-10 hrs |
| RANGE (WLTP) | 80 km (50 miles) | 55 km (34 miles) | 110 km (68 miles) | 145 km (90 miles) |

*battery weight not included