

**MecALAC**

**MWR**  
SERIES



**MWR**  
SERIES **MecALAC**

The image shows three Mecalac MWR wheel loader models parked in a row against a concrete wall. The central model is the largest, with a yellow body and a black boom and bucket. The two smaller models on either side are similar in design but smaller in scale. The background is a plain, light-colored concrete wall. The ground is a light-colored, textured surface.

**7.MWR**

**9.MWR**

**11.MWR**



# MWR SERIES

## URBAN MACHINE HUMAN ENGINE

*“For the past 60 years, innovation, accuracy and the search for performance have been the leading keywords of our company’s vision. At Mecalac, we imagine the machines designed for the construction sites of the 21st century. Since every job has its own characteristics and restrictions, since each country has its own culture, we build machines that respond perfectly to today’s challenges. Our machines are created by humans for humans. We are proud to be men and women innovators who improve and push back the limits of our clients’ objectives.”*

Henri Marchetta, Chairman  
Groupe Mecalac S.A.S.



**MWR 7.9.11**

# THE BEST OF 2 WORLDS

**LOWERING THE  
CENTER OF  
GRAVITY, SIMPLY  
REVOLUTIONARY!**



The fusion of the advantages of wheeled and crawler excavators brought about a unique Mecalac solution, conjugating mobility, versatility, stability, accessibility, driving user friendliness, lifting power and profitability. This is MWR series.





**WATCH THE VIDEO**

**MECALAC INNOVATES  
AND OFFERS YOU TO  
WATCH MWR VIDEOS.**

It's easy, all you need to do is scan the QR codes present on the pages of the brochure with your smartphone in order to access the video content.

If you don't have a scanning app, you can download a QR code scanner from the App Store or Google Play.





# 7.9.11 MWR

## FROM GENESIS TO SOLUTION

### DESIGN: A STRONG AND STRATEGIC COMPONENT OF THE MECALAC IDENTITY

*“Our strength? Offering each client the most efficient solution. A deep analysis of users’ work process allows us to provide the right industrial and versatile answer to their requests. This approach allows to offer better fitted machines based on the real needs of the jobsite. At Mecalac, design has always been part of our creation process. It is a strong and strategic component of our brand identity and products and is not limited to mere aesthetics. Our design is functional and secure. It blends ergonomics with smooth flowing lines.”*

Patrick Brehmer,  
Head of Marketing,  
Product Management & Design

### AN EXCLUSIVE CONCEPT, A UNIQUE SOLUTION

**By lowering the center of gravity of the new MWR relative to its competitors, Mecalac revolutionizes by 100% the world of wheeled excavators.**

Consequences on all “levels”: from stability to accessibility, by way of security and “all terrain” mobility, the machine gains in balance and in force without dropping any of its initial qualities.

More than a machine, the MWR is the achievement of a new concept and the result of a combined expertise of Mecalac for both wheeled and crawler excavators.

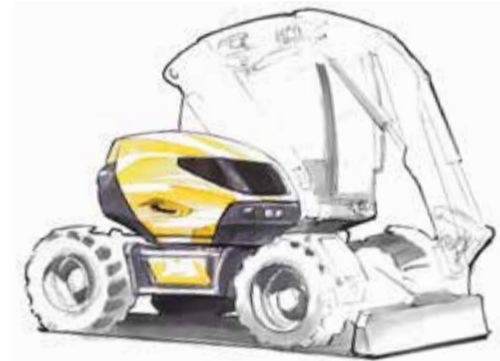
Its design has been developed to answer very demanding and complex specifications which Mecalac managed to implement in one single and unique machine.

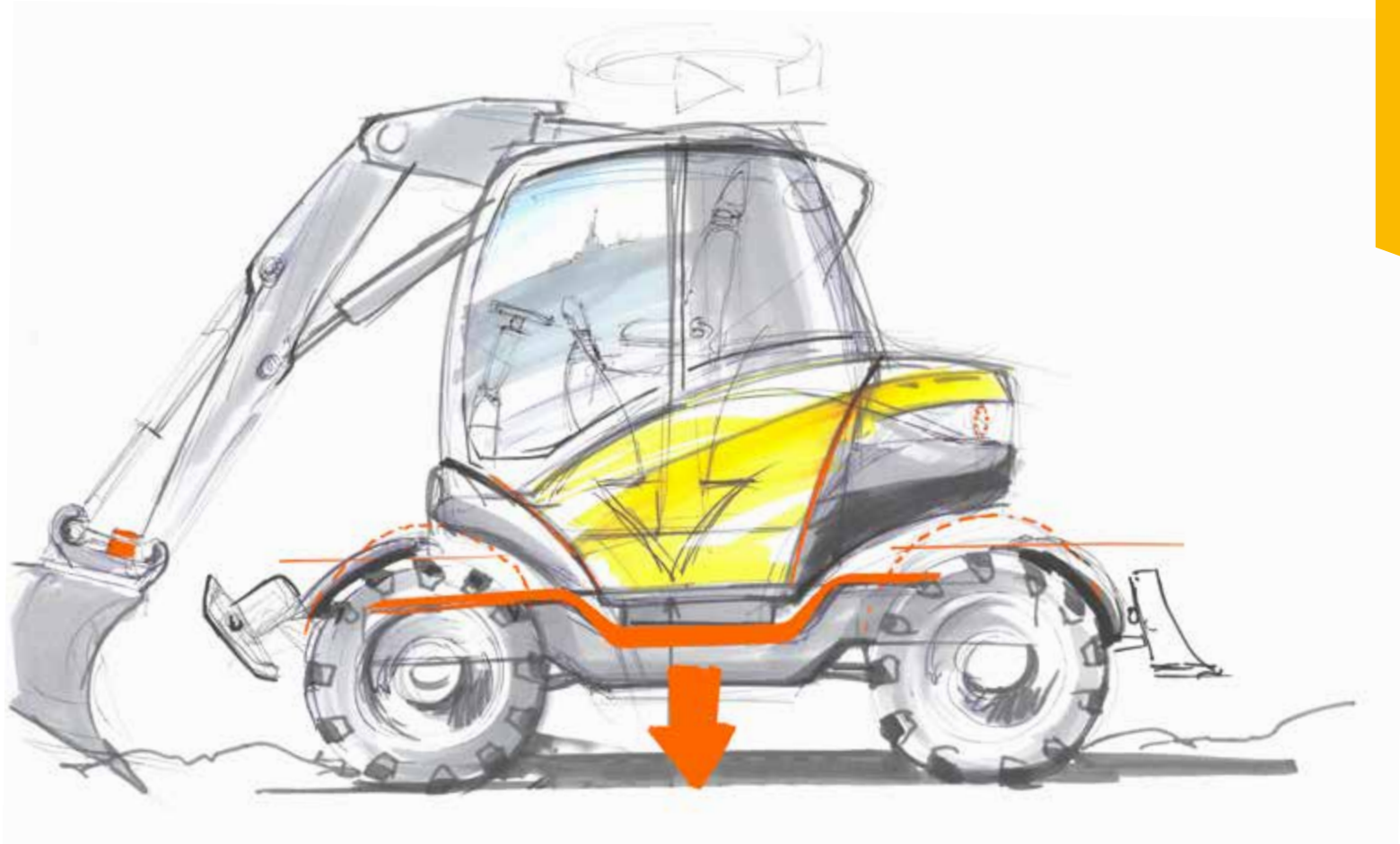
The result: a machine with XS proportions and with XL lifting power, versatile and ultra-stable.

Moreover, the 9MWR benefits from the latest interior and exterior patented Mecalac technologies (articulated boom with offset, cylinder coupling, Connect quick coupler, central command selector, “speed control” function).

### AWARD 2016

Mecalac wins the Prize for Design of the 2016 Innovation AWARDS at the world exhibition BAUMA for the new concept of excavators on tyres: MWR.





WATCH THE VIDEO

	WHEELED EXCAVATORS	CRAWLER EXCAVATORS	MWR
Mobility	•		•
Versatility	•		•
Autonomy	•		•
Driving user-friendliness		•	•
Ability for all types of terrain		•	•
Security		•	•
Accessibility		•	•
Stability		•	•



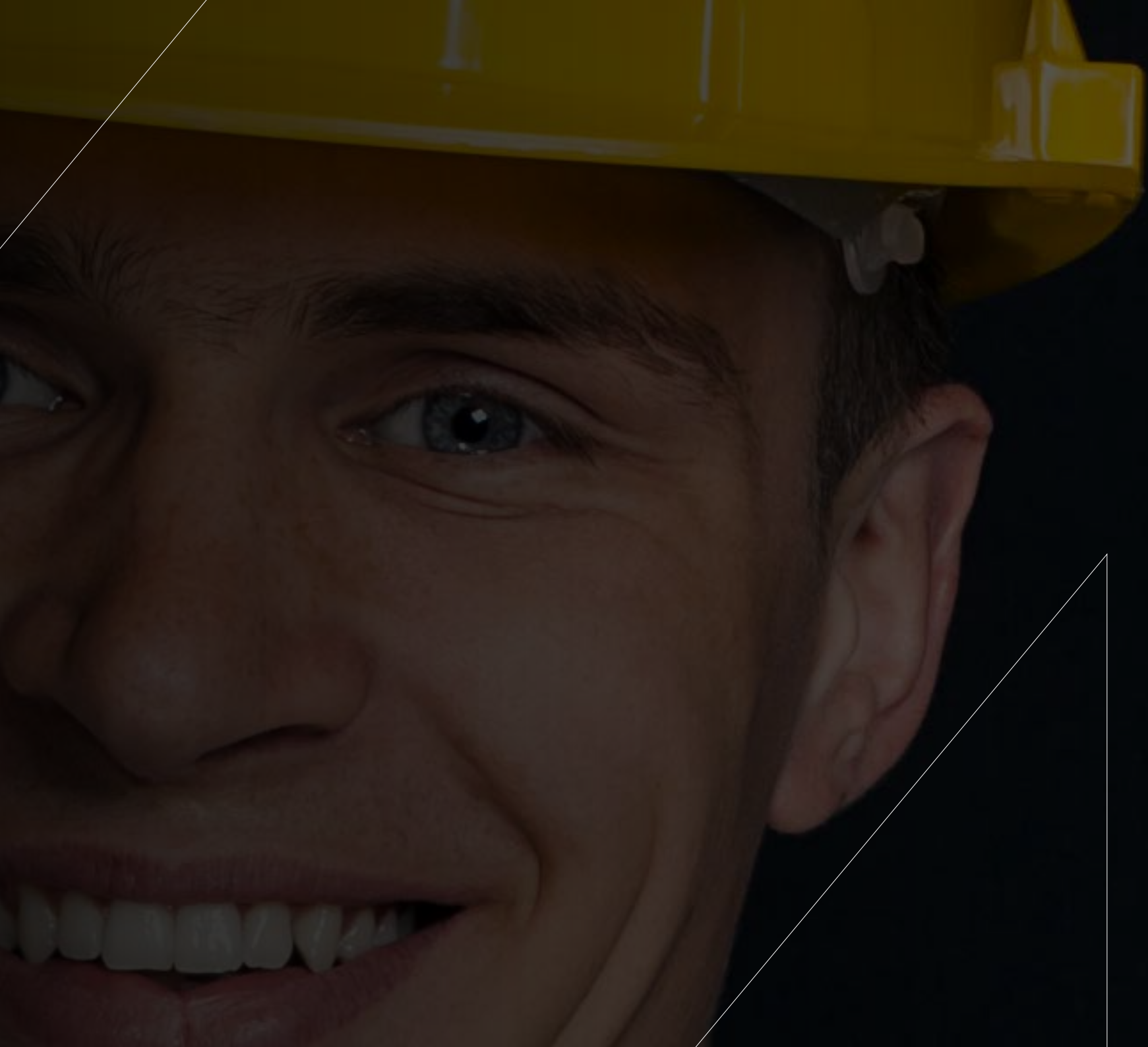
**MWR 7.9.11**

# USER FRIENDLY

**Optimize security for  
the operator as for the  
workers' team of both  
urban and suburban  
construction sites:**

- maintenance feet on the ground
- oscillation locking by the brake pedal and the joystick
- reduced access height
- excellent compactness
- optional integrated and automated cameras
- excellent visibility







**1 BUTTON**  
**3 MODES**





WATCH THE VIDEO



USER-FRIENDLY

# DRIVING USER-FRIENDLINESS

**PARKING, WORK OR ROAD  
MODE, IN ONE SINGLE  
SWITCH.**

*Thanks to the unique central selector, the driver can switch into road or parking mode in a single movement, thus sparing 7 to 10 manipulations. With this unique global exclusivity, everything can be done instantly by selecting the desired configuration.*

With this unique, worldwide exclusive, everything can be done instantly by selecting the desired configuration. This guarantees faultless and ultra-safe driving on construction sites, leaving the driver free to calmly focus on the tasks at hand and take full control of the machine.





USER-FRIENDLY

# CONNECT 'ATTACHED' TO VERSATILITY

**IN ORDER TO MAKE ITS MACHINES  
EVER SAFER AND MORE VERSATILE,  
MECALAC INTRODUCES CONNECT,  
ITS PATENTED QUICK COUPLER,  
NOTABLE FOR ITS LIGHTNESS,  
INTEGRATION, USER-  
FRIENDLINESS, REVERSABILITY  
AND ITS PERFECT SAFETY.**

Controlled from the cab, there is zero risk of it detaching from the tool either while it is being connected or while in operation. It is equipped with a detection system that alerts the driver if the tool is improperly secured (with visual and audible signals). Not only that, but it is also reversible and has an automatic play compensation function, making the CONNECT quick coupler the ultimate connection between tool and machine!





WATCH THE VIDEO







USER-FRIENDLY

# THE QUEST FOR SIMPLICITY: DRIVING OUR RESEARCH

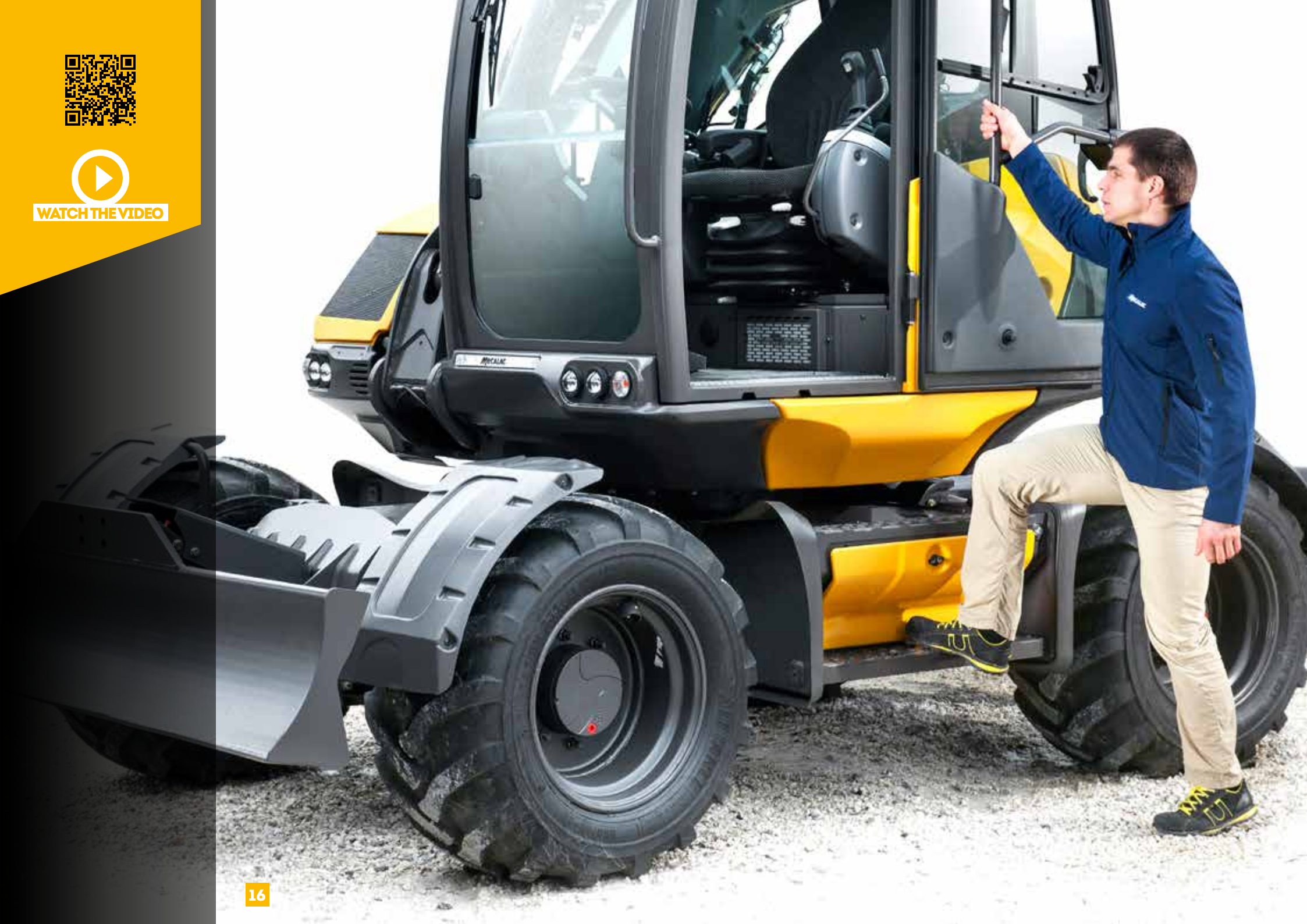
**THE MWR REPRESENTS A NEW WAY TO INTERACT WITH CONSTRUCTION VEHICLES, THANKS TO ITS COMPLETELY REDESIGNED INTERNAL AND EXTERNAL ERGONOMICS AND UNIQUE INTERFACE BETWEEN HUMAN-MACHINE THAT COMBINES ACCESSIBILITY AND SAFETY.**

Each and every driver action is simplified, affording greater protection of everybody on the worksite. When it comes to innovation, 'less is more' is definitely one of the keys to Mecalac's success.





WATCH THE VIDEO







USER-FRIENDLY

# CLIMB UP AND DOWN EASILY

**THANKS TO THE LOWERED  
CENTRE OF GRAVITY OF  
THE MACHINE, THE CABIN  
IS PERFECTLY ACCESSIBLE  
TO THE DRIVER, WITHOUT  
MAKING TOO MUCH EFFORT  
OR TAKING ANY RISKS.**

The cab is 20% lower compared to rival products on the market so now entering and exiting the vehicle requires much less effort, and is further eased by the addition of a step that has been perfectly incorporated into the machine's design. One small step for man; one giant leap for worksite safety.







WATCH THE VIDEO



USER-FRIENDLY

# FILL UP YOUR TANK EFFORTLESSLY

**THE TANK IS EXTREMELY  
ACCESSIBLE AS IT IS LOCATED  
ON THE UNDERCARRIAGE  
AT A REACHABLE HEIGHT.**

Besides helping lower the centre of gravity, the lower-down position of the tank and its increased capacity also mean that the driver or fleet manager no longer has to carry out any operations at height, nor is there anything in the way when driving the vehicle. With the majority of other excavators still mounting the fuel tank in the upper carriage, filling up an MWR is as simple as it is safe. Because daily upkeep should always be risk-free.





**MWR 7.9.11**

# OPTIMAL PERFORMANCE

**MWR machines are equipped with numerous technical characteristics for optimal construction site management on all types of terrain.**

- naturally balanced
- all terrain capacity
- manoeuvrability
- agility
- compactness
- lifting power



MECALAC

MECALAC



## PERFORMANCE

# NATURALLY BALANCED

**THE NEW MWRS BENEFIT FROM 360° ISO STABILITY: THIS MEANS THE MACHINE'S STABILITY REMAINS THE SAME REGARDLESS OF THE ROTATION ANGLE OF THE UPPER CARRIAGE.**

Lift, place, move, unload... all without moving. The new MWRS transform worksite logistics thanks to their incredible stability in any position and on any terrain. Whatever the conditions, they stay balanced both when travelling in transfer operations between sites as well as during work phases. This gives them 360° lifting performance - an extraordinary feat.





PERFORMANCE

# GROUND CLEARANCE

**THE LOWERED CENTER OF GRAVITY HAS ABSOLUTELY NO INCIDENCE ON THE GROUND CLEARANCE HEIGHT, WHICH IS AN EXCLUSIVE 'MADE IN MECALAC' PARADOX.**

In order to guarantee the machine's mobility in spite of ground's unevenness, the machine keeps enough height to avoid rubbing and risks of tearing out the undercarriage.





## PERFORMANCE

# MANŒUVRABILITY & COMPACTNESS

The new MWRs can be equipped with 4 steering wheels thus allowing you to do a U-turn practically on the spot and effectively overcome all obstacles. The aim: ensuring a maximum mobility in narrow spaces.

**2.5 TIMES  
MORE COMPACT  
THAN A CLASSIC  
EXCAVATOR**





## AGILITY

*Efficiency of movement*

When the leeway is limited, the MWRs are a powerful ally. Their perfectly integrated and light offset and their 3-part arm allow them to work outside the pattern of the machine.

## MOBILITY

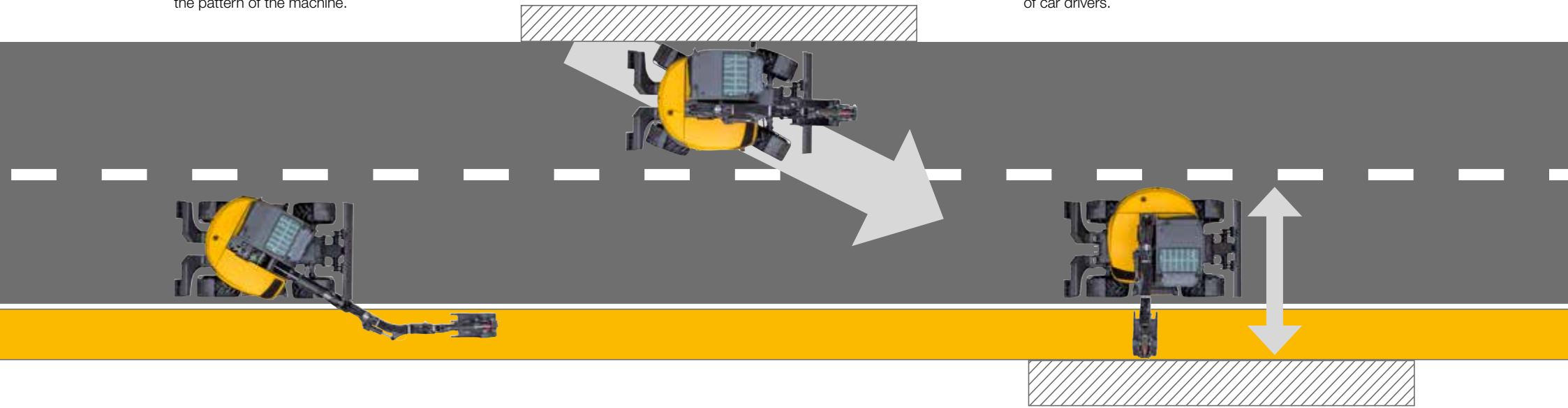
*Best manoeuvrability*

The 3 direction modes enable the MWR to get out of any situation.

## COMPACTNESS AT WORK

*in the service of security*

With their XS dimensions, their 360° rotation and their exceptional angular displacement of the boom, the MWRs only require one way in an urban area to carry out their missions, thus preserving the security of pedestrians and of car drivers.



## MAXIMUM COMPACTNESS

*for minimum bulk*

This useful compactness frees 100% performances and 100% functions, therefore reducing the impact of urban construction sites on the environment.





PERFORMANCE

# LIFTING POWER & AMPLITUDE



## AN UNRIVALLED COMPACTNESS/LIFTING CAPACITY RATIO:

The unique architecture of the new MWRs makes these powerful and precise handling machines capable of lifting up to 3 tons to 3 m and 360°!

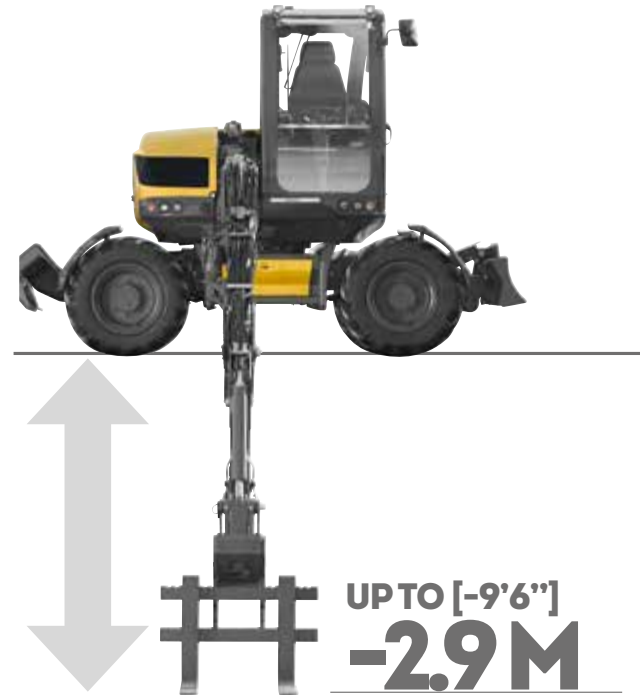


**360°**



## AMPLITUDE

Equipped with a loader bucket or with pallet forks, the new MWRs allow for an unusual range of amplitude whether this is positive for loading a truck or negative for offloading pallets.



**WATCH THE VIDEO**



PERFORMANCE

# FROM VERSATILITY TO AUTONOMY

**EXPERTISE IS BORN OF  
EXPERIENCE. OURS IS BASED  
ON THE STRONG CONCEPT  
THAT PROFITABILITY CANNOT  
BE CONSIDERED WITHOUT  
SIMPLICITY OF USE, COUPLED  
WITH VERSATILITY IN  
FUNCTIONS.**

No matter the job, the country or the corporate culture, we offer the best visibility, manoeuvrability and freedom on each construction site for optimal autonomy.





**LARGE DIGGING  
AMPLITUDE**



**STATIC LOAD**



**UNIQUE  
OVERFLOW  
HEIGHT**



**WATCH THE VIDEO**



## SERVICES

# PERFORMANCE, PROFITABILITY, LONGEVITY

DISCOVER OUR SERVICES

## MECALAC PREMIUM LUBRICANTS

Premium lubricants to get the best out of your machines:

- Extended machine life
- Extended warranty and extended oil change intervals
- All-weather efficiency



## MY MECALAC CONNECTED SERVICES

To optimise the use of its machines, MECALAC offers a range of telematics services:

- Remote fleet management
- Access to all machine usage data of the machines
- Limited machine downtime thanks to preventive maintenance



  
MY **Mecalac**  
CONNECTED SERVICES





## MECALAC GENUINE PARTS

Only genuine MECALAC parts ensure optimum service life and maximum performance:

- Certified genuine parts
- Maintenance kits
- Extended warranty



## MECALAC TRAINING

Make full use of the full potential of your Mecalac machines:

- Efficient use
- Individual coaching
- Intensive practice



## MECALAC FINANCIAL SOLUTIONS

A complete range of financial products and associated services to meet your specific needs:

- Machine purchase
- Machine rental
- Competitive rates



## WARRANTY EXTENSIONS

Our solutions are well-adapted to your needs to maximise the life of your machines:

- Customised contracts
- Peace of mind
- Controlled expenses



The list of services offered may vary depending on your country. Consult your local Mecalac dealer for details.



**MWR 7.9.11**

# SET UP YOUR MWR

The new MWR comes standard equipped with a number of features, while at the same time remaining attentive to the specifications required by various types of customers: landscape and earthwork contractors, public works' professionals, municipal authorities, etc. So, from the color scheme to the choice of tires, heating/AC or cameras, not to mention the various attachments, buckets and hydraulic tools which can be used, there are many different ways to tailor your new MWR to your brand and business.





## CUSTOM COLORS

You wish to get your MWR with your brand colors ?  
Customize your Mecalac with your own RAL color codes.

Color examples



## TIRES CHOICES

### 7MWR-9MWR

Simple Alliance 365/70 R18 EM (standard)  
Large Alliance 500/45 R20  
Twin BKT 8.25-20 (with spacer)

### 11MWR

Simple Alliance/Mitas 18-19.5 (standard)  
Large Alliance 600/40 R22.5  
Twin BKT 9.00-20 (with spacer)

## TECHNOLOGIE

*MyMecalac Connected Services* (Telematics)



Standard and optional equipment may vary.  
Consult your Mecalac dealer for details.

## CAB - COMFORT AND SAFETY

Air conditioning (increases cab height)  
Rotating beacon  
LED rotating beacon  
Travel alarm  
White noise type adaptative travel alarm  
Overload buzzer (additional to screen indicator)  
Additional front working light  
Rear working light, LED  
Stereo USB Bluetooth radio  
Heated pneumatic seat  
Rear cam (in addition to the side cam)  
Pattern changer ISO / SAE  
Rain protector  
Cabin sun visor (standard)  
12V Plug  
Preparation for installation of a fleet management system

## FRAME

4 steering wheels 30 km/h (7MWR and 11MWR)  
2 steering wheels 35km/h (9MWR)  
2 steering wheels 30km/h (11MWR)  
4 steering wheels 20km/h (9MWR and 11MWR)  
4 steering wheels 35km/h (9MWR)  
Steering direction inversion (4 steering wheels only)  
Mudguards (4 steering wheels only)  
Front blade and stabilisers  
Blade rear (standard)  
Rubber protective pads under stabilisers  
Clamshell grab support  
Additional counterweight  
Blade preparation for trailer hook

## ENGINE

Diesel Particulate Filter (DPF) (standard in Europe)  
Automatic engine idle shutdown  
Electric diesel refueling pump with automatic stop  
Anti-theft device - electronic immobilizer with 6 keys

## AUXILIARY LINES

Additional proportional auxiliary line (diverted offset cylinder for rotating function of a clamshell)  
Additional auxiliary line (diverted bucket cylinder for opening / closing function of a clamshell)  
Hammer return line

## ANTIDROP SAFETY VALVES

Safety valves on boom, adjustable boom, dipperstick (standard)  
Safety valves on boom, adjustable boom, dipperstick, bucket

## QUICK COUPLER

Mecalac CONNECT hydraulic quick coupler - with hook  
Device for the Direct Coupling of tools on dipperstick ("pin-on") with pins, in-cab switch and hydraulic lines for quick couplers

## LUBRICATION

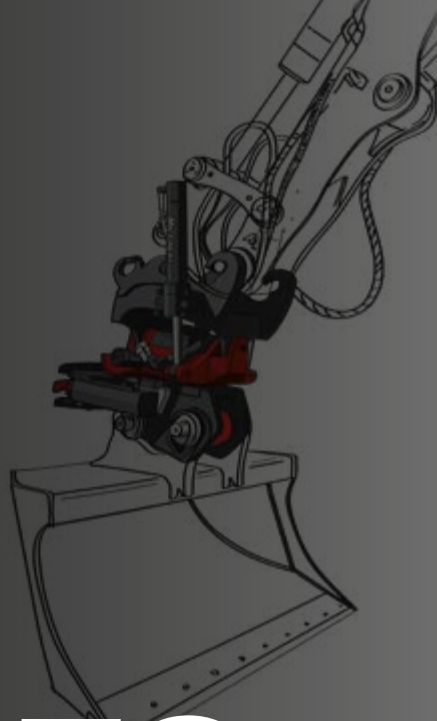
Standard manual greasing: single point for turret and first boom (standard)  
Centralized, manual lubrication turret, boom and stick (except axles between connecting rod and quick coupling system)  
Centralized, automatic lubrication for turret, boom and stick (except axles between connecting rod and quick coupling system)

## OIL CHOICES

Hydraulic oil (VG 46) (standard)  
Hydraulic oil Syn Panolin (HLP 46)  
Hydraulic organic oil Panolin (HLP 46)  
Hydraulic oil for cold weather (ISO 32)  
Hydraulic oil for hot weather (ISO 68)  
Hydraulic oil for very hot weather (ISO 100)



**MWR 7.9.11**



# ACCES- SORIES MECALAC EXCLUSIVE

## DIGGING BUCKETS

7MWR	WIDTH mm (ft in)	Number of teeth	VOLUME l (yd³)	WEIGHT kg (lb)
DIGGING BUCKET with teeth or no teeth	350 (1'2")	3	100 (0.13)	121 (267)
	450 (1'6")	3	130 (0.17)	131 (289)
	600 (2')	4	185 (0.24)	150 (330)
	750 (2'5.5")	5	240 (0.31)	169 (372)
	900 (2'11")	5	300 (0.39)	185 (407)
9MWR	WIDTH mm (ft in)	Number of teeth	VOLUME l (yd³)	WEIGHT kg (lb)
DIGGING BUCKET with teeth or no teeth	350 (1'2")	3	115 (0.15)	130 (286)
	450 (1'6")	3	150 (0.20)	140 (308)
	600 (2')	4	220 (0.29)	160 (352)
	750 (2'5.5")	5	285 (0.37)	180 (396)
	900 (2'11")	5	355 (0.46)	197 (434)
11MWR	WIDTH mm (ft in)	Number of teeth	VOLUME l (yd³)	WEIGHT kg (lb)
DIGGING BUCKET with teeth or no teeth	350 (1'2")	3	150 (0.20)	204 (449)
	450 (1'6")	3	190 (0.25)	222 (489)
	600 (2')	3	275 (0.36)	255 (562)
	750 (2'5.5")	4	360 (0.47)	292 (643)
	900 (2'11")	4	450 (0.59)	328 (723)
	1200 (3'11")	5	630 (0.82)	393 (866)

## NARROW BUCKET

TYPE	WIDTH mm (ft in)	Number of teeth	VOLUME l (yd³)	WEIGHT kg (lb)
NARROW BUCKET	300 (1')	3	80 (0.10)	219 (482)

## MECALAC MR50 TILTROTATOR

9MWR - 11MWR	Specifications	PIN to PIN HEIGHT mm (ft in)	ROTATION TORQUE Nm (lbf.ft)	WEIGHT kg (lb) 1xCONNECT
MR50 TILTROTATOR no grab	Twin CONNECT configuration, 2x 40° 2 low-flow auxiliary functions	639 (2'1")	6600 (4,868)	400 (882)
MR50 TILTROTATOR with grab module	Twin CONNECT configuration, 2x 40° 1 low-flow auxiliary function	639 (2'1")	6600 (4,868)	468 (1,032)

## MECALAC TILTROTATOR DEDICATED GRADING BUCKET

9MWR - 11MWR	Specifications	WIDTH mm (ft in)	VOLUME l (yd³)	WEIGHT kg (lb)
GRADING BUCKET FOR TILTROTATOR MR50	Dedicated bucket for finishing works	1500 (4'11")	450 (0.59)	286 (631)
BOLTED COUNTERBLADE FOR GRADING BUCKET	borehole center-to-center distance 152.4 mm (6 in)	1500 (4'11")	-	43 (95)



## LOADER BUCKETS (SKID AND 4X1)

7MWR	WIDTH mm (ft in)	Number of teeth	VOLUME l (yd³)	WEIGHT kg (lb)
SKID BUCKET no teeth	2200 (7'3")	-	540 (0.71)	378 (833)
9MWR	WIDTH mm (ft in)	Number of teeth	VOLUME l (yd³)	WEIGHT kg (lb)
SKID BUCKET no teeth	2310 (7'7")	-	570 (0.75)	389 (857)
11MWR	WIDTH mm (ft in)	Number of teeth	VOLUME l (yd³)	WEIGHT kg (lb)
SKID BUCKET no teeth	2500 (8'2")	-	820 (1.1)	475 (1,047)
SKID BUCKET 4x1 with or without teeth	2200 (7'3")	7	540 (0.71)	617 (1,360)
4X1 BUCKET CONNECTION SET, 4 FLEXIBLE JOINTS	-	-	-	5 (11)
BOLTED COUNTERBLADE FOR 4X1 BUCKET with no teeth 7 boreholes - center-to-center borehole distance 360 mm (1'2")	2200 (7'3")	-	-	62 (136.6)
TEETH PROTECTION FOR 4x1 BUCKET				11 (24)

## HYDRAULIC THUMB

7MWR	WIDTH mm (in)	number of tines	LENGTH mm (in)	WEIGHT kg (lb)
HYDRAULIC THUMB with teeth Available with the 2-piece boom with offset only	270 (10.6)	4	950 (37.4)	74 (163)

## TILT DITCH CLEANING BUCKET

7MWR	Specifications	WIDTH mm (ft in)	VOLUME l (yd³)	WEIGHT kg (lb)
TILT DITCH CLEANING BUCKET	2x Linear cylinders, 2x 45°	1500 (4'11")	280 (0.36)	340 (749)
BOLTED COUNTER BLADE	borehole center-to-center distance 152.4 mm (6 in)	1500 (4'11")	-	43 (95)
9MWR	Specifications	WIDTH mm (ft in)	VOLUME l (yd³)	WEIGHT kg (lb)
TILT DITCH CLEANING BUCKET	2x Linear cylinders, 2x 45°	1500 (4'11")	321 (0.42)	415 (915)
BOLTED COUNTER BLADE	borehole center-to-center distance 152.4 mm (6 in)	1500 (4'11")	-	43 (95)
11MWR	Specifications	WIDTH mm (ft in)	VOLUME l (yd³)	WEIGHT kg (lb)
TILT DITCH CLEANING BUCKET	2x Linear cylinders	1700 (5'7")	367 (0.48)	485 (1,069)
BOLTED COUNTER BLADE	borehole center-to-center distance 152.4 mm (6 in)	1700 (5'7")	-	48 (106)

## DITCH CLEANING BUCKET AND COUNTER-BLADE

7MWR - 9MWR	Specifications	WIDTH mm (ft in)	VOLUME l (yd³)	WEIGHT kg (lb)
DITCH CLEANING BUCKET	-	1500 (4'11")	262 (0.34)	260 (573)
BOLTED COUNTER BLADE	borehole center-to-center distance 160 mm (0'52")	1500 (4'11")	-	30.5 (67)
11MWR	Specifications	WIDTH mm (ft in)	VOLUME l (yd³)	WEIGHT kg (lb)
DITCH CLEANING BUCKET	-	1800 (5'11")	400 (0.52)	350 (772)
BOLTED COUNTER BLADE	borehole center-to-center distance 152.4 mm (6 in)	1800 (5'11")	-	47 (104)

## PALLET FORK

TYPE	Specifications	WEIGHT kg (lb)
PALLET FORK	to be used with 4 safety valves	330 (728)
KIT BLADE-MOUNTED PALLET FORKS		52 (114.6)

## DIGGING BUCKET WITH GRAPPLE

7MWR	WIDTH mm (ft in)	VOLUME l (yd³)	WEIGHT kg (lb)
GRAPPLE BUCKET, 2 hydraulic thumbs	750 (2'5.5")	240 (0.31)	284 (626)
CONNECTION KIT, HOSES			5 (11)
9MWR	WIDTH mm (ft in)	VOLUME l (yd³)	WEIGHT kg (lb)
GRAPPLE BUCKET, 2 hydraulic thumbs	750 (2'5.5")	285 (0.37)	304 (670)
CONNECTION KIT, HOSES			5 (11)
11MWR	WIDTH mm (ft in)	VOLUME l (yd³)	WEIGHT kg (lb)
GRAPPLE BUCKET, 2 hydraulic thumbs	900 (2'11")	450 (0.59)	492 (1085)
Connection kit, hoses			5 (11)

## SKID STEER ADAPTER

TYPE	Specifications	WEIGHT kg (lb)
TYPE: ISO 24410 mounting hitch for Universal Skid steer attachments		127 (280)

## HANDLING PLATE AND HAMMER PLATE

TYPE	Specifications	WEIGHT kg (lb)
HANDLING PLATE with hook	to be used with 3 safety valves	43 (94)
HAMMER plate no boreholes	-	80 (176)
HAMMER plate with boreholes	contact your dealer	80 (176)

## HANDLING JIB

7MWR - 9MWR	Specifications	WEIGHT kg (lb)
HANDLING JIB	length 2000 mm (6'7"), lifting capacity 500 Kg (1,100 lb) to be used with 4 safety valves	80.5 (177)
11MWR	Specifications	WEIGHT kg (lb)
HANDLING JIB	length 4100 mm (13'5"), lifting capacity 500 Kg (1,100 lb) to be used with 4 safety valves	113 (249)

## CLAMSHELL BUCKET SUPPORT

TYPE	Specifications	WEIGHT kg (lb)
SUPPORT PIECE FOR CLAMSHELL BUCKET - 7MWR, 9MWR, 11MWR	-	67 (147)

## RIPPER TOOTH

TYPE	WEIGHT kg (lb)
RIPPER TOOTH	170 (374)

Mecalac recommends using appropriate attachments to maximize the value customers receive from our products. Use of attachments, including buckets, which are outside of Mecalac's recommendations or specifications for weight, dimensions, flows, pressures, etc. may result in less-than-optimal performance, including but not limited to reductions in production, stability, reliability, and component durability.

# 7.9.11MWR

## TECHNICAL DATA

WEIGHT	7MWR	9MWR	11MWR
In running order, without bucket, with 75 kg (165 lb) operator, fuel tank full without optional equipment, standard tires			
- Rear blade	6925 kg (15,300 lb)	7900 kg (17,400 lb)	10000 kg (22,050 lb)
- Front stabilisers + blade	not available	+300 kg (+661 lb)	+450 kg (+992 lb)
- Large tires	+60 kg (+132 lb)	+60 kg (+132 lb)	+160 kg (+352 lb)
- Twin tires	+350 kg (+771 lb)	+350 kg (+771 lb)	+380 kg (+837 lb)
ENGINE	7MWR	9MWR	11MWR
Turbo charged engine with intercooler, EGR valve and catalytic converter (DOC), complying with emissions standards			
Diesel 4 in-line cylinders	DEUTZ TD 2.9 L4	DEUTZ TCD 2.9 L4	DEUTZ TCD 3.6 L4
Horsepower (DIN 70020)	55.4 kW (75hp - 74.3 imperial hp)	55.4 kW (75hp - 74.3 imperial hp)	55.4 kW (75hp - 74.3 imperial hp)
Engine speed	2300 rpm	2300 rpm	2200 rpm
Maximum torque	300 Nm at 1600 rpm (221 ft.lbf at 1600 rpm)	300 Nm at 1600 rpm (221 ft.lbf at 1600 rpm)	390 Nm at 1300 rpm (288 ft.lbf at 1300 rpm)
Cubic capacity	2900 cm <sup>3</sup> (177 in <sup>3</sup> )	2900 cm <sup>3</sup> (177 in <sup>3</sup> )	3600 cm <sup>3</sup> (220 in <sup>3</sup> )
Cooling	water	water	water
Air filter, cyclonic, dry, cartridge	•	•	•
Fuel consumption (depending on operating conditions)	8 to 9 l/h (2 to 2.3 gph)	8 to 9 l/h (2 to 2.3 gph)	7 to 11 l/h (1.8 to 2.9 gph)
Fuel tank capacity	108 l (28.5 gal)	140 l (36.9 gal)	165 l (43.5 gal)
ELECTRICAL SYSTEM	7MWR	9MWR	11MWR
Batteries	100 Ah / 720 A	100 Ah / 720 A	100 Ah / 720 A
Voltage	12 V	12 V	12 V
Alternator	14 V (120 A)	14 V (120 A)	14 V (120 A)
Starter	12 V 2.6 kW	12 V 2.6 kW	12 V 2.6 kW
UNDERCARRIAGE	7MWR	9MWR	11MWR
Rigid	•	•	•
Outside turning radius			
- 4 steered wheels (optional)	3.52 m (11 ft 7 in)	3.56 m (11 ft 8 in)	3.86 m (12 ft 8 in)
- 2 steered wheels	6.08 m (19 ft 11 in)	6.10 m (20 ft)	6.41 m (21 ft)
Stabilisers controlled independently or in pairs	not available	•	•
TRANSMISSION	7MWR	9MWR	11MWR
Closed hydrostatic center with <b>SENSO DRIVE</b> automotive type automatic regulation	•	•	•
Electronically controlled traveling direction reverser located under joystick	•	•	•
Hydraulic variable displacement pump and motor allow for a continuously variable transmission rate over the whole speed range of the machine	•	•	•
Continuously variable speed	0-30 km/h (i.e. 0-19 mph)	0-20 km/h (0-35 km/h in option) (0-12 mph (0-22 mph in option)	0-20 km/h (0-30 km/h in option) (0-12 mph (0-19 mph in option)
Maximum traction force	3760 daN (8,450 lbf)	4820 daN (10,835 lbf)	4820 daN (10,835 lbf)
Gradeability	60%	65%	68%
Gearbox with automatic shift	not available	option	option

\* Environmental Protection Agency (EPA) - Depending on your Local Legislation

# 7.9.11MWR

## TECHNICAL DATA

AXLES AND WHEELS	7MWR	9MWR	11MWR
4-wheel drive	•	•	•
Rigid drive axle on the rear		steering as an option	
Oscillating drive axle on the front to +/- 7° ; oscillation block involves 2 hydraulic cylinders		steering axle	
BRAKES	7MWR	9MWR	11MWR
Double circuit central braking system	•	•	•
Oil-immersed multi-disk brakes on each axle	•	•	•
HYDRAULIC SYSTEM	7MWR	9MWR	11MWR
Hydraulic oil tank	56 l (14.8 gal)	61 l (16 gal)	77 l (20.3 gal)
Hydraulic circuit capacity	115 l (30.3 gal)	115 l (30.3 gal)	115 l (30.3 gal)
ATTACHMENT AND ROTATION CIRCUIT	7MWR	9MWR	11MWR
Variable displacement pump	45 cm <sup>3</sup> (2.7 in <sup>3</sup> )	63 cm <sup>3</sup> (3.8 in <sup>3</sup> )	75 cm <sup>3</sup> (4.6 in <sup>3</sup> )
ACTIVE CONTROL power control "Load Sensing - Flow Sharing" type LUDV main control valve block, proportionality of functions maintained regardless of the pressure level in individual elements	•	•	•
- Maximum flow rate	100 l/min (26.4 gpm)	145 l/min (38.3 gpm)	165 l/min (43.5 gpm)
- Maximum working pressure	280 bar (4,060 psi)	280 bar (4,060 psi)	300 bar (4,350 psi)
TRANSMISSION CIRCUIT	7MWR	9MWR	11MWR
Pump	125 l/min (33 gpm)	125 l/min (33 gpm)	125 l/min (33 gpm)
	440 bar (6,382 psi)	440 bar (6,382 psi)	440 bar (6,382 psi)
Max. pressure			
UPPERFRAME	7MWR	9MWR	11MWR
Full swing	360°	360°	360°
Slewing by hydraulic motor with automatic braking assured by discs equipped with anti-bounce pressure relief valve	•	•	•
Driven by internal crown slewing wheel	•	•	•
Swing speed	10 tr/min (10 rpm)	10 tr/min (10 rpm)	10 tr/min (10 rpm)
Swing torque	1330 daNm (9,800 ft.lbf)	1690 daNm (12,400 ft.lbf)	2500 daNm (18,440 ft.lbf)
CAB	7MWR	9MWR	11MWR
Extremely comfortable panoramic cab	ROPS and FOPS approved with guard		
Monocoque cab fastened to 4 spring posts	•	•	•
Front windshield partially or fully removable		under the cab roof	
Seat can be set and adjusted to operator height and weight	•	•	•
Water heating system compliant with ISO 10263	•	•	•
Independent settings for joystick support consoles	•	•	•
Controls assisted by ergonomic, proportional joysticks	•	•	•
Dial display of fuel level and coolant temperature	•	•	•
Control panel including colour screen	•	•	•
Proportional hydraulic control of the attachment integrated into the right-hand joystick	•	•	•
Front working light	•	•	•

BOOM AND STICK	7MWR	9MWR	11MWR
Mecalac variable kinematics consisting of 4 parts: boom, intermediate boom, offset and dipperstick	•	•	•
Right and left offset by hydraulic cylinder. System enabling all penetration force to be kept regardless of the angular position of the offset	•	•	•
Left offset	1382 mm (54 in)	1551 mm (61 in)	1775 mm (70 in)
Right offset	1820 mm (72 in)	1899 mm (75 in)	2034 mm (80 in)
Boom cylinder with endof travel shock absorber	•	•	•
Stick length	1650 mm (5'5")	1800 mm (5'11")	2025 mm (6'7")
CONNECT quick coupler			
- Take up with automatic mechanical locking	•	•	•
- Detection of incorrect locking			
- Hydraulically-controlled unlocking			

### OPERATING MODES

#### WORKING MODE

- Turret rotation and dipperstick control with the left control lever
- Bucket and intermediate boom or boom control with the right control lever
- Travelling control using foot pedals

#### DRIVING MODE

- Deactivation of the manual engine speed control. The engine speed varies depending on how far the travel pedal is depressed
- Turning on road headlights
- Turning on rotating beacon
- Locking of machine hydraulic functions (boom/front attachment, slewing, outriggers)
- Deactivation of oscillation lock (only if oscillation lock selector is on AUTO) and is not activated via the right joystick
- Deactivation of the travel alarm
- Deactivation of the overload alarm
- Display of speed in km/h
- Deactivation of idle function via keypad and joystick
- Speed controller
- Screen display in road mode

#### PARKING MODE

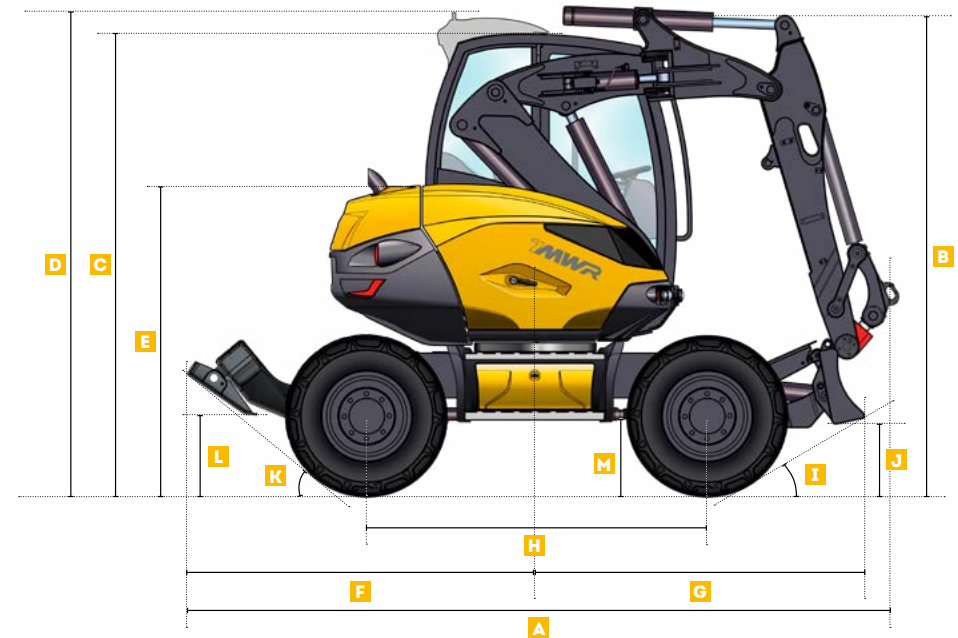
- Engages parking brake
- Turns the transmission into Neutral
- Deactivates the accelerator pedal
- Set engine rpm into idle
- Locks hydraulic and electrical controls
- Sets the screen display in economy mode
- Locks the oscillating axle
- Turns on road headlights

#### NOTE: METRIC MEASUREMENTS ARE THE CRITICAL VALUES

- 1 Litre = 0.26417 US Liquid Gallons
- 1 Litre = 0.21997 Imperial Liquid Gallons

# 7.9.11MWR

## TECHNICAL DATA

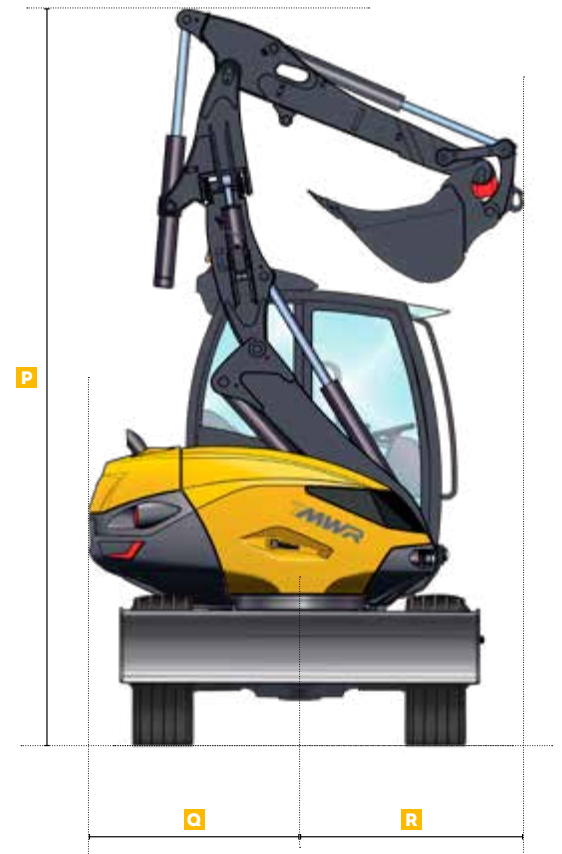
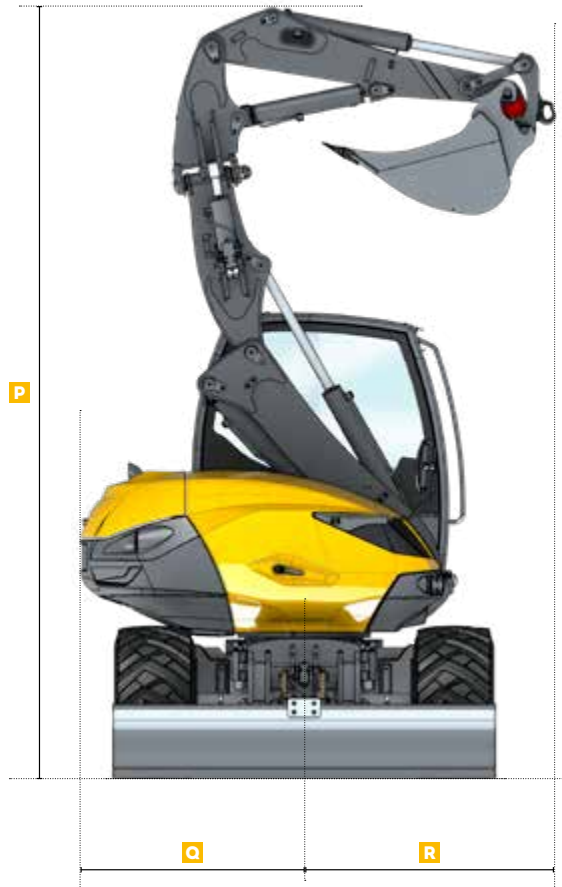
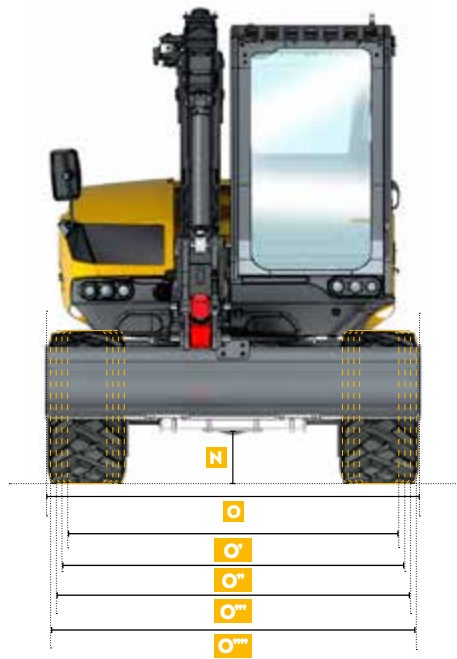


MACHINE DIMENSIONS	7MWR		9MWR	11MWR
	Mecalac versatile boom*	2-piece boom with offset		
<b>A</b> Overall length incl. boom/stick (without stabilisers for the 7MWR)	3730 mm (12'3")		4418 mm (14'6")	4836 mm (15'1")
<b>B</b> Cab height (excl. boom position)	2816 mm (9'3")	2961 mm (9'8")	2945 mm (9'8")	3270 mm (10'8")
<b>C</b> Cab height (excl. boom position)	2816 mm (9'3")		2829 mm (9'3")	2855 mm (9'48")
<b>D</b> Cab height (excl. boom position, with AC option)	2944 mm (9'8")		2970 mm (9'9")	3072 mm (10'1")
<b>E</b> Cover height	1865 mm (6'1")		1886 mm (6'2")	2030 mm (6'8")
<b>F</b> Overhang of lower frame on stabilisers side (without stabilisers for the 7MWR)	1550 mm (5'1")		2159 mm (7'1")	2275 mm (7'6")
<b>G</b> Overhang of lower frame on blade side	2030 mm (6'8")		2076 mm (6'1")	2230 mm (7'4")
<b>H</b> Wheelbase	2100 mm (6'11")		2200 mm (7'3")	2300 mm (7'7")
<b>I</b> Blade crossing angle	32°		28°	32°
<b>J</b> Height with blade raised	374 mm (1'3")		391 mm (1'3")	498 mm (1'7")
<b>K</b> Stabilisers crossing angle	-	-	39°	36°
<b>L</b> Height with stabilisers raised	-	-	430 mm (1'5")	413 mm (1'4")
<b>M</b> Ground clearance at axle	430 mm (1'5")		430 mm (1'5")	460 mm (1'6")

\* with offset

# 7.9.11MWR

## TECHNICAL DATA



MACHINE DIMENSIONS	7MWR		
	Mecalac versatile boom*	2-piece boom with offset	
<b>N</b> Ground clearance at gearbox	310 mm (1')	310 mm (1')	350 mm (1'2")
<b>O</b> Width of blade	2180 mm (7'2")	2310 mm (7'7")	2500 mm (8'2")
<b>O'</b> Width with 365/70 R18 tires	2025 mm (6'7")	2155 mm (7'0.8")	-
<b>O''</b> Width with 18-19.5 tires	-	-	2377 mm (7'9")
<b>O'''</b> Width with 500/45 R20 tires	2120 mm (6'11")	2250 mm (7'4")	-
<b>O''''</b> Width with 600/40 R22.5 tires	-	-	2500 mm (8'2")
<b>O'''''</b> Width with 8.25-20 twin tires	1988 mm (6'6")	2314 mm (7'7")	-
<b>O''''''</b> Width with 9.00-20 twin tires	-	-	2294 mm (7'6")

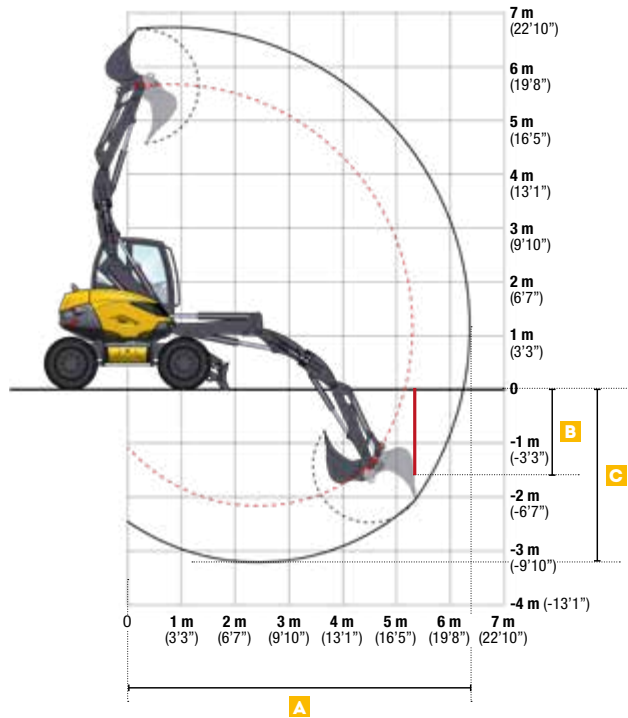
\* with offset

MACHINE DIMENSIONS	7MWR			
	Mecalac versatile boom*	2-piece boom with offset	9MWR	11MWR
<b>P</b> Height in folded position	4410 mm (14'6")	4496 mm (14'9")	4630 mm (15'2")	5090 mm (16'8")
<b>Q</b> Tail swing radius	1296 mm (4'3")	1296 mm (4'3")	1350 mm (4'5")	1445 mm (4'9")
<b>R</b> Front radius	1492 mm (4'11")	1363 mm (4'6")	1516 mm (4'12")	1851 mm (6'1")

\* with offset



## 7MWR MECALAC VERSATILE BOOM\*

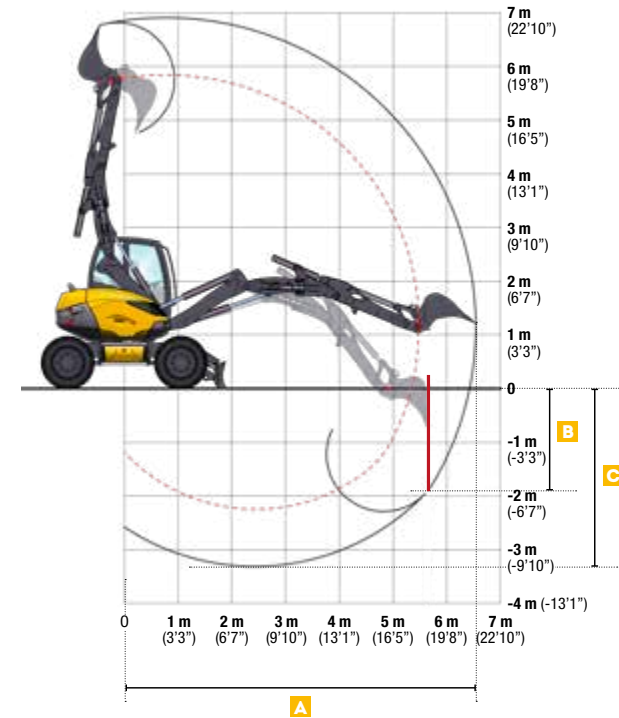


WORKING RANGES		7MWR Mecalac versatile boom*
A	Maximum reach	6220 mm (20'5")
B	Vertical digging depth maximum with standard bucket	1657 mm (5'5")
C	Maximum digging depth	3030 mm (9'11")

DIGGING PERFORMANCE		7MWR Mecalac versatile boom*
Break-out force (maximum)		4050 daN (9,100 lbf)
Penetration/Tear-out force (maximum)		2400 daN (5,400 lbf)

\* with offset

## 7MWR TWO-PIECE BOOM WITH OFFSET



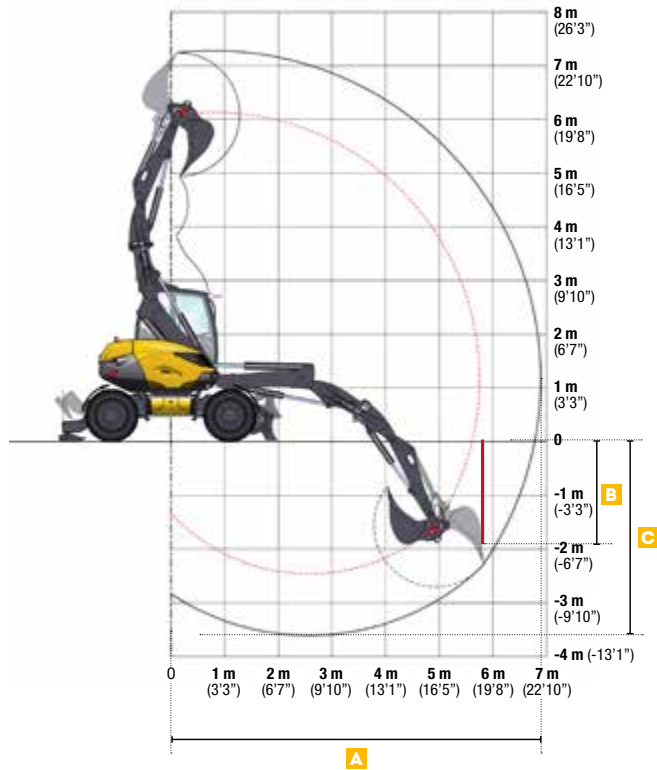
WORKING RANGES		7MWR 2-piece boom with offset
A	Maximum reach	6536 mm (25'5")
B	Vertical digging depth, maximum, with standard bucket	1914 mm (6'3")
C	Maximum digging depth	3318 mm (10'10")

DIGGING PERFORMANCE		7MWR 2-piece boom with offset
Break-out force (maximum)		4050 daN (9,100 lbf)
Penetration/Tear-out force (maximum)		3100 daN (6,970 lbf)





## 9MWR MECALAC VERSATILE BOOM\*

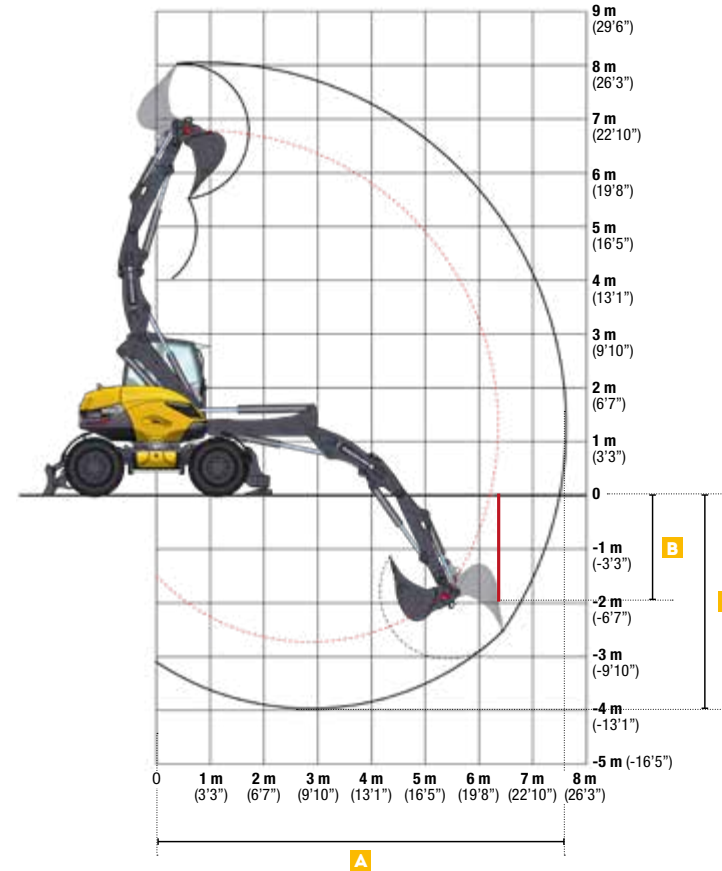


WORKING RANGES		9MWR Mecalac versatile boom*
<b>A</b>	Maximum reach	6700 mm (22')
<b>B</b>	Vertical digging depth, maximum, with standard bucket	1928 mm (6'4")
<b>C</b>	Maximum digging depth	3500 mm (11'6")

DIGGING PERFORMANCE		9MWR Mecalac versatile boom*
	Break-out force (maximum)	5100 daN (11,460 lbf)
	Penetration/Tear-out force (maximum)	2700 daN (6,070 lbf)

\* with offset

## 11MWR MECALAC VERSATILE BOOM\*



WORKING RANGES		11MWR Mecalac versatile boom*
<b>A</b>	Maximum reach	7500 mm (24'7")
<b>B</b>	Vertical digging depth, maximum, with standard bucket	1949 mm (6'5")
<b>C</b>	Maximum digging depth	3800 mm (12'6")

DIGGING PERFORMANCE		11MWR Mecalac versatile boom*
	Break-out force (maximum)	6500 daN (14,600 lbf)
	Penetration/Tear-out force (maximum)	3300 daN (7,400 lbf)

\* with offset

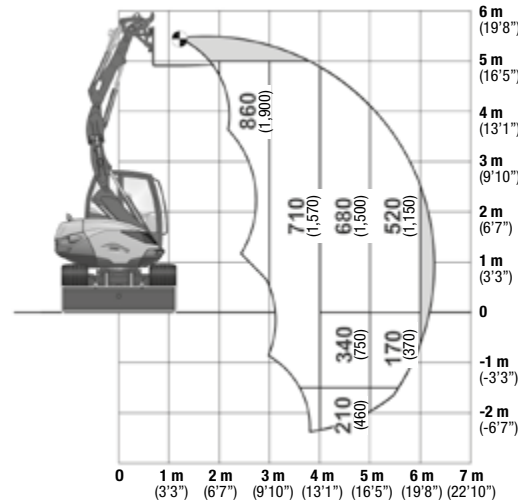
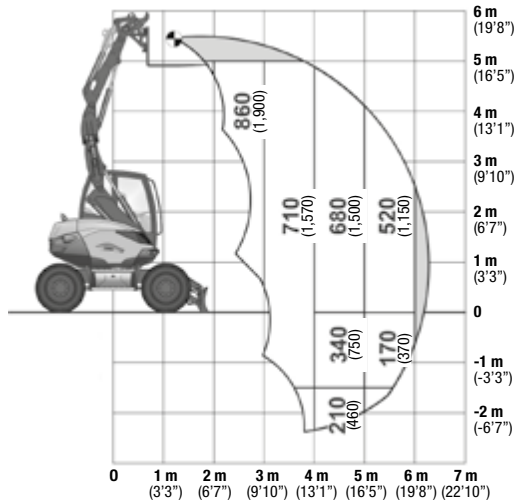


# 7MWR - HANDLING MECALAC VERSATILE BOOM\*



## LIFTING CAPACITIES WITH PALLET FORKS

All the weights are given in kg (lb) with CONNECT.



### WORKING CONDITIONS

- On wheels, blade on the ground
- On horizontal, compact ground
- Boom and stick used without offset
- Oscillation axle blocked
- Equipped with pallet fork
- Equipped with 4 safety valves

### ACCORDING TO ISO 10567

- Maximal 75% of the tipping load or 87% of the hydraulic capacity
- **Maximum values determined for the most unfavorable position of boom and cylinders**

\* with offset

## LIFTING CAPACITIES WITH LOADING HOOK – BLADE ON GROUND

All the weights are given in kg (lb) with CONNECT.

	2M (6'7")		3M (9'10")		4M (13'1")		5M (16'5")	
<b>5M (16'5")</b>	3000 (6,600)	3000 (6,600)	2560 (5,640)	2560 (5,640)	-	-	-	-
<b>3M (9'10")</b>	3000 (6,600)	3000 (6,600)	3000 (6,600)	3000 (6,600)	2130 (4,700)	2130 (4,700)	1610 (3,550)	1520 (3,350)
<b>1.5M (4'11")</b>	3000 (6,600)	3000 (6,600)	3000 (6,600)	3000 (6,600)	2270 (5,000)	2200 (4,850)	1720 (3,800)	1480 (3,260)
<b>0M</b>	3000 (6,600)	3000 (6,600)	3000 (6,600)	3000 (6,600)	3000 (6,600)	2060 (4,540)	1710 (3,770)	1300 (2,870)
<b>-1M (-3'3")</b>	3000 (6,600)	3000 (6,600)	3000 (6,600)	3000 (6,600)	2260 (4,980)	1980 (4,370)	1120 (2470)	1120 (2470)
<b>-2M (-6'7")</b>	3000 (6,600)	3000 (6,600)	2020 (4,450)	2020 (4,450)	1190 (2,620)	1190 (2,620)	-	-

Working in longitudinal position on blade side

Working over the side or at 360°

## LIFTING CAPACITIES WITH LOADING HOOK – BLADE RAISED

All the weights are given in kg (lb) with CONNECT.

	2M (6'7")		3M (9'10")		4M (13'1")		5M (16'5")	
<b>5M (16'5")</b>	3000 (6,600)	3000 (6,600)	2560 (5,640)	2560 (5,640)	-	-	-	-
<b>3M (9'10")</b>	3000 (6,600)	3000 (6,600)	3000 (6,600)	3000 (6,600)	2130 (4,700)	1700 (3,750)	1550 (3,420)	1150 (2,540)
<b>1.5M (4'11")</b>	3000 (6,600)	3000 (6,600)	3000 (6,600)	3000 (6,600)	2250 (4,960)	1460* (3,220*)	1530 (3,370)	980* (2,160)
<b>0M</b>	3000 (6,600)	3000 (6,600)	3000 (6,600)	2560 (5,640)	2160 (4,760)	1450 (3,200)	1460 (3,220)	940* (2,070)
<b>-1M (-3'3")</b>	3000 (6,600)	3000 (6,600)	3000 (6,600)	2300 (5,070)	2050 (4,520)	1480 (3,260)	1120 (2470)	1050 (2,310)
<b>-2M (-6'7")</b>	3000 (6,600)	3000 (6,600)	2020* (4,450*)	2020 (4,450)	1190 (2,620)	1190 (2,620)	-	-

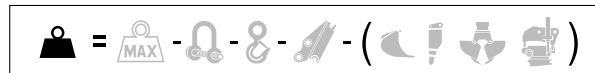
Working in longitudinal position on blade side

Working over the side or at 360°

### WORKING CONDITIONS

- On wheels, blade on the ground or raised
- On horizontal, compact ground
- Boom and stick used without offset
- Front and rear frame aligned
- Without tools (bucket, shovel...) with handling plate and loading hook of 3 t (6,613 lb)
- Maximal 75% of the tipping load or 87% of the hydraulic capacity
- **Maximum values determined for optimal position of boom and cylinders**

The lifting capacities shown with an asterisk (\*) are limited by the tipping load that can be lifted. Other values are limited by the hydraulic capabilities or capability of the loading hook. The weight of the chain sling, bucket and other auxiliary lifting devices must be deducted from the nominal load to determine the load which can be lifted.



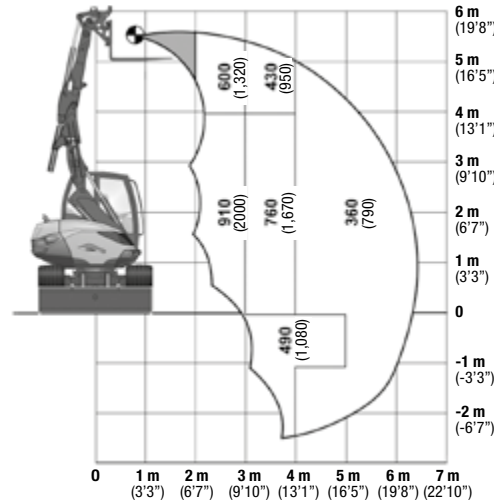
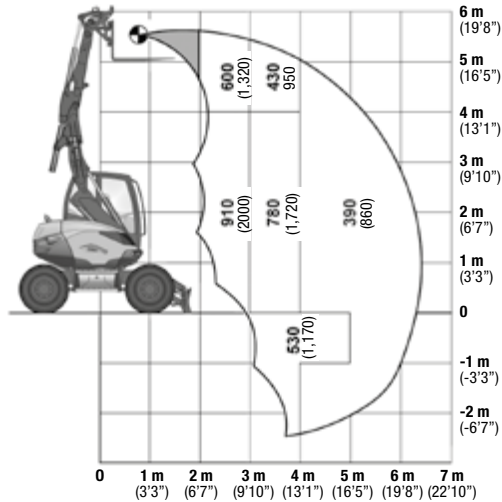
All elements added to the end of the dipperstick must be taken into consideration when measuring the real lifting capacities in kg (lbs), particularly their positions and weights.



# 7MWR - HANDLING TWO-PIECE BOOM WITH OFFSET

## LIFTING CAPACITIES WITH PALLET FORKS

All the weights are given in kg (lb) with CONNECT.



### WORKING CONDITIONS

- On wheels, blade on the ground
- On horizontal, compact ground
- Boom and stick used without offset
- Oscillation axle blocked
- Equipped with pallet fork
- Equipped with 4 safety valves

### ACCORDING TO ISO 10567

- Maximal 75% of the tipping load or 87% of the hydraulic capacity
- Maximum values determined for the most unfavorable position of boom and cylinders

## LIFTING CAPACITIES WITH LOADING HOOK – BLADE ON GROUND

All the weights are given in kg (lb) with CONNECT.

	2M (6'7")		3M (9'10")		4M (13'1")		5M (16'5")	
<b>5M (16'5")</b>	2340 (5,159)	2340 (5,159)	1640 (3,615)	1640 (3,615)	-	-	-	-
<b>3M (9'10")</b>	2090 (4,608)	2090 (4,608)	2010 (4,431)	2000 (4,409)	1710 (3,770)	1310* (2,888)*	1110 (2,447)	820* (1,808)*
<b>15M (4'11")</b>	3000 (6,600)	3000* (6,600)*	2810 (6,195)	2090* (4,608)*	1860 (4,100)	1280* (2,822)*	1300 (2,866)	800* (1,764)*
<b>0M</b>	3000 (6,600)	3000* (6,600)*	2800 (6,173)	1980* (4,365)*	1830 (4,034)	1150* (2,535)*	1050 (2,315)	740* (1,631)*
<b>-1M (-3'3")</b>	3000 (6,600)	3000* (6,600)*	2620 (5,776)	1780* (3,924)*	1440 (3,175)	1060* (2,337)*	610 (1,345)	610 (1,345)
<b>-2M (-6'7")</b>	3000 (6,600)	3000 (6,600)	1510 (3,329)	1510 (3,329)	670 (1,477)	670 (1,477)	-	-

Working in longitudinal position on blade side Working over the side or at 360°

## LIFTING CAPACITIES WITH LOADING HOOK – BLADE RAISED

All the weights are given in kg (lb) with CONNECT.

	2M (6'7")		3M (9'10")		4M (13'1")		5M (16'5")	
<b>5M (16'5")</b>	2340 (5,159)	2340 (5,159)	1640 (3,615)	1640 (3,615)	-	-	-	-
<b>3M (9'10")</b>	2090 (4,608)	2090 (4,608)	2010 (4,431)	2010 (4,431)	1450 (3,196)	1230* (2,711)*	900 (1,984)	750* (1,653)*
<b>15M (4'11")</b>	3000 (6,600)	3000* (6,600)*	2300* (5,071)*	1970* (4,343)*	1410* (3,108)*	1200* (2,645)*	890* (1,962)*	740* (1,631)*
<b>0M</b>	3000 (6,600)	3000* (6,600)*	2230* (4,916)*	1850* (4,078)*	1280* (2,822)*	1070* (2,359)*	820* (1,808)*	680* (1,499)*
<b>-1M (-3'3")</b>	3000 (6,600)	3000* (6,600)*	2010* (4,431)*	1640* (3,615)*	1190* (2,623)*	980* (2,160)*	610 (1,345)	610 (1,345)
<b>-2M (-6'7")</b>	3000 (6,600)	3000 (6,600)	1510 (3,329)	1510 (3,329)	670 (1,477)	670 (1,477)	-	-

Working in longitudinal position on blade side Working over the side or at 360°



All elements added to the end of the dipperstick must be taken into consideration when measuring the real lifting capacities in kg (lbs), particularly their positions and weights.

### WORKING CONDITIONS

- On wheels, blade on the ground or raised
- On horizontal, compact ground
- Boom and stick used without offset
- Front and rear frame aligned
- Without tools (bucket, shovel...) with handling plate and loading hook of 3 t (6,613 lb)
- Maximal 75% of the tipping load or 87% of the hydraulic capacity
- Maximum values determined for optimal position of boom and cylinders

The lifting capabilities shown with an asterisk (\*) are limited by the tipping load that can be lifted. Other values are limited by the hydraulic capabilities or capability of the loading hook. The weight of the chain sling, bucket and other auxiliary lifting devices must be deducted from the nominal load to determine the load which can be lifted.

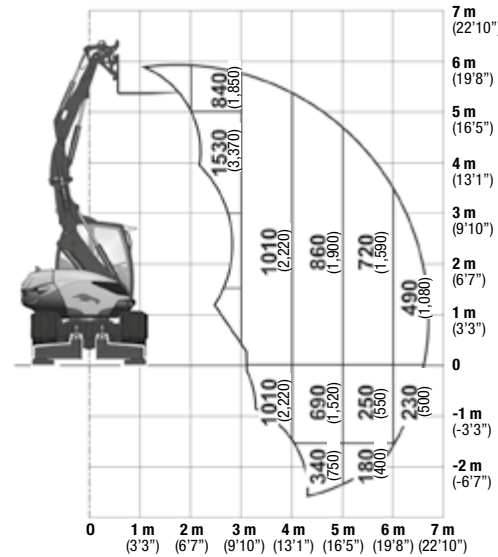
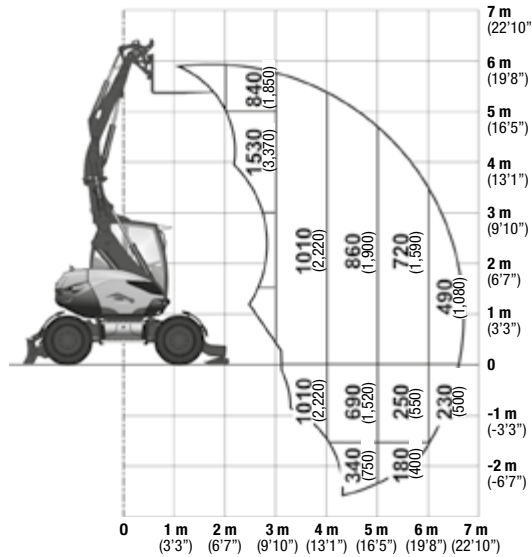


# 9MWR - HANDLING MECALAC VERSATILE BOOM\*



## LIFTING CAPACITIES WITH PALLET FORKS

All the weights are given in kg (lb) with CONNECT.



### WORKING CONDITIONS

- On wheels, blade and stabilisers on ground or raised
- On horizontal, compact ground
- Boom and stick used without offset
- Oscillation axle blocked
- Equipped with pallet fork
- Equipped with 4 safety valves

### ACCORDING TO ISO 10567

- Maximal 75% of the tipping load or 87% of the hydraulic capacity
- Maximum values determined for the most unfavorable position of boom and cylinders

\* with offset

## LIFTING CAPACITIES WITH LOADING HOOK - STABILISERS AND BLADE ON GROUND

All the weights are given in kg (lb) with CONNECT.

	2M (6'7")		3M (9'10")		4M (13'1")		5M (16'5")	
<b>5M (16'5")</b>	3000 (6,600)	3000 (6,600)	3000 (6,600)	3000 (6,600)	2470 (5,450)	2470 (5,450)	-	-
<b>3M (9'10")</b>	3000 (6,600)	3000 (6,600)	3000 (6,600)	3000 (6,600)	2560 (5,640)	2560 (5,640)	2030 (4,480)	1810 (3,990)
<b>15M (4'11")</b>	3000 (6,600)	3000 (6,600)	3000 (6,600)	3000 (6,600)	3000 (6,600)	3000 (6,600)	2460 (5,420)	1710 (3,770)
<b>0M</b>	3000 (6,600)	3000 (6,600)	3000 (6,600)	3000 (6,600)	3000 (6,600)	2340 (5,160)	2270 (5,000)	1680 (3,700)
<b>-1M (-3'3")</b>	3000 (6,600)	3000 (6,600)	3000 (6,600)	3000 (6,600)	3000 (6,600)	2280 (5,030)	1780 (3,920)	1600 (3,530)
<b>-2M (-6.7 ft)</b>	3000 (6,600)	3000 (6,600)	3000 (6,600)	3000 (6,600)	1910 (4,210)	1910 (4,210)	900 (1,980)	900 (1,980)

Working in longitudinal position on blade side

Working over the side or at 360°

## LIFTING CAPACITIES WITH LOADING HOOK - STABILISERS AND BLADE RAISED

All the weights are given in kg (lb) with CONNECT.

	2M (6'7")		3M (9'10")		4M (13'1")		5M (16'5")	
<b>5M (16'5")</b>	3000 (6,600)	3000 (6,600)	3000 (6,600)	3000 (6,600)	2470 (5,450)	1940 (4,280)	-	-
<b>3M (9'10")</b>	3000 (6,600)	3000 (6,600)	3000 (6,600)	3000 (6,600)	2560 (5,640)	2120 (4,670)	1900 (4,190)	1250* (2,760*)
<b>15M (4'11")</b>	3000 (6,600)	3000 (6,600)	3000 (6,600)	3000 (6,600)	3000 (6,600)	1830* (4,030*)	1800 (3,970)	1210* (2,670)
<b>0M</b>	3000 (6,600)	3000 (6,600)	3000 (6,600)	3000 (6,600)	3000 (6,600)	1690* (3,730*)	1730 (3,810)	1130* (2,490*)
<b>-1M (-3'3")</b>	3000 (6,600)	3000 (6,600)	3000 (6,600)	3000 (6,600)	2370 (5,490)	1700 (3,750)	1710 (3,770)	1250 (2,760)
<b>-2M (-6.7 ft)</b>	3000 (6,600)	3000 (6,600)	3000 (6,600)	3000 (6,600)	1910 (4,210)	1700 (3,750)	1400 (3,090)	900 (1,980)

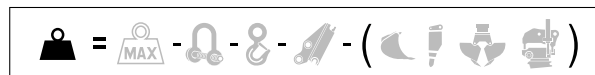
Working in longitudinal position on blade side

Working over the side or at 360°

### WORKING CONDITIONS

- On wheels, blade and stabilisers raised
- On horizontal, compact ground
- Boom and stick used without offset
- Front and rear frame aligned
- Without tools (bucket, shovel...) with handling plate and loading hook of 3 t (6,613 lb)
- Maximal 75% of the tipping load or 87% of the hydraulic capacity
- Maximum values determined for optimal position of boom and cylinders

The lifting capacities shown with an asterisk (\*) are limited by the tipping load that can be lifted. Other values are limited by the hydraulic capabilities or capability of the loading hook. The weight of the chain sling, bucket and other auxiliary lifting devices must be deducted from the nominal load to determine the load which can be lifted.



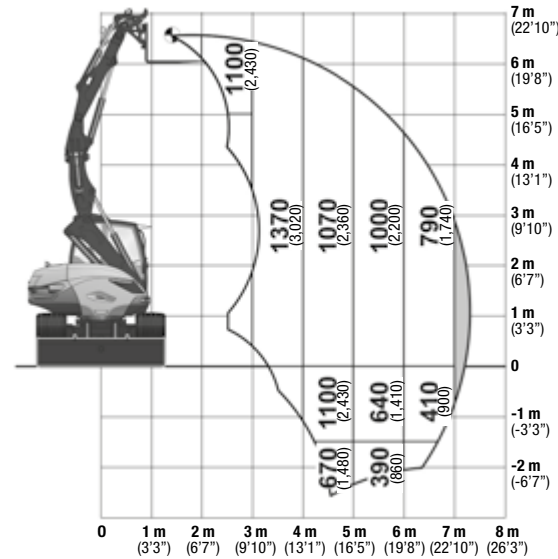
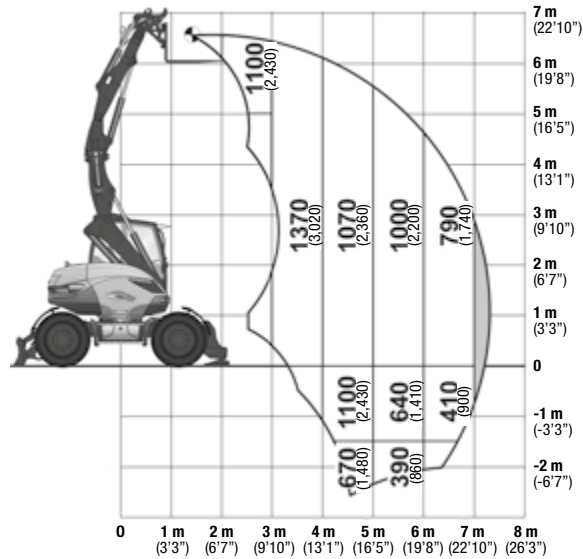
All elements added to the end of the dipperstick must be taken into consideration when measuring the real lifting capacities in kg (lbs), particularly their positions and weights.



# 11MWR - HANDLING MECALAC VERSATILE BOOM\*

## LIFTING CAPACITIES WITH PALLET FORKS

All the weights are given in kg (lb) with CONNECT.



### WORKING CONDITIONS

- On wheels, blade and stabilisers on the ground
- On horizontal, compact ground
- Boom and stick used without offset
- Oscillation axle blocked
- Equipped with pallet fork
- Equipped with 4 safety valves

### ACCORDING TO ISO 10567

- Maximal 75% of the tipping load or 87% of the hydraulic capacity
- Maximum values determined for the most unfavorable position of boom and cylinders

\* with offset

## LIFTING CAPACITIES WITH LOADING HOOK - STABILISERS AND BLADE ON GROUND

All the weights are given in kg (lb) with CONNECT.

	2M (6'7")		3M (9'10")		4M (13'1")		5M (16'5")		6M (19'8")	
<b>5M (16'5")</b>	4000 (8,820)	4000 (8,820)	4000 (8,820)	4000 (8,820)	3400 (7,500)	3400 (7,500)	2740 (6,040)	2740 (6,040)	-	-
<b>3M (9'10")</b>	-	-	4000 (8,820)	4000 (8,820)	4000 (8,820)	4000 (8,820)	3080 (6,790)	3080 (6,790)	2360 (5,200)	2280 (5,030)
<b>15M (4'11")</b>	-	-	4000 (8,820)	4000 (8,820)	4000 (8,820)	4000 (8,820)	4000 (8,820)	2910 (6,420)	2820 (6,220)	2170 (4,780)
<b>0M</b>	4000 (8,820)	4000 (8,820)	4000 (8,820)	4000 (8,820)	4000 (8,820)	4000 (8,820)	4000 (8,820)	2590 (5,710)	3100 (6,830)	1830* (4,030*)
<b>-1M (-3'3")</b>	4000 (8,820)	4000 (8,820)	4000 (8,820)	4000 (8,820)	4000 (8,820)	4000 (8,820)	4000 (8,820)	2450* (5,400*)	2640 (5,820)	1790* (3,950*)
<b>-2M (-6.7 ft)</b>	4000 (8,820)	4000 (8,820)	4000 (8,820)	4000 (8,820)	4000 (8,820)	4000 (8,820)	3140 (6,920)	2690 (5,930)	-	-

Working in longitudinal position on blade side

Working over the side or at 360°

## LIFTING CAPACITIES WITH LOADING HOOK - STABILISERS AND BLADE RAISED

All the weights are given in kg (lb) with CONNECT.

	2M (6'7")		3M (9'10")		4M (13'1")		5M (16'5")		6M (19'8")	
<b>5M (16'5")</b>	4000 (8,820)	4000 (8,820)	4000 (8,820)	4000 (8,820)	3400 (7,500)	2900 (6,390)	2410 (5,310)	1660* (3,660)	-	-
<b>3M (9'10")</b>	-	-	4000 (8,820)	4000 (8,820)	4000 (8,820)	2830 (6,240)	2500 (5,510)	1690* (3,730*)	1520* (3,350*)	1160* (2,560*)
<b>15M (4'11")</b>	-	-	4000 (8,820)	4000 (8,820)	4000 (8,820)	2790 (6,150)	2090* (4,600)	1610* (3,550*)	1470* (3,240*)	1110* (2,450*)
<b>0M</b>	4000 (8,820)	4000 (8,820)	4000 (8,820)	4000 (8,820)	2990 (6,590)	2240* (4,940*)	2100 (4,630)	1480* (3,260*)	1600 (3,530)	1040* (2,290*)
<b>-1M (-3'3")</b>	4000 (8,820)	4000 (8,820)	4000 (8,820)	4000 (8,820)	3040 (6,700)	2120 (4,670)	2150 (4,740)	1490 (3,280)	1350* (2,980*)	1110 (2,450)
<b>-2M (-6.7 ft)</b>	4000 (8,820)	4000 (8,820)	4000 (8,820)	4000 (8,820)	2590* (5,710*)	2200 (4,850)	1790* (3,950*)	1350 (2,980)	-	-

Working in longitudinal position on blade side

Working over the side or at 360°

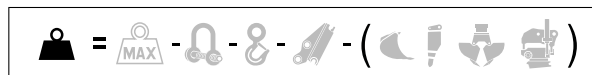
### WORKING CONDITIONS

- On wheels, blade and stabilisers on ground or raised
- On horizontal, compact ground
- Boom and stick used without offset
- Front and rear frame aligned
- Without tools (bucket, shovel,...) with handling plate and loading hook of 4 t (8,818lb)

- Maximal 75% of the tipping load or 87% of the hydraulic capacity

- Maximum values determined for optimal position of boom and cylinders

The lifting capabilities shown with an asterisk (\*) are limited by the tipping load that can be lifted. Other values are limited by the hydraulic capabilities or capability of the loading hook. The weight of the chain sling, bucket and other auxiliary lifting devices must be deducted from the nominal load to determine the load which can be lifted.



All elements added to the end of the dipperstick must be taken into consideration when measuring the real lifting capacities in kg (lbs), particularly their positions and weights.

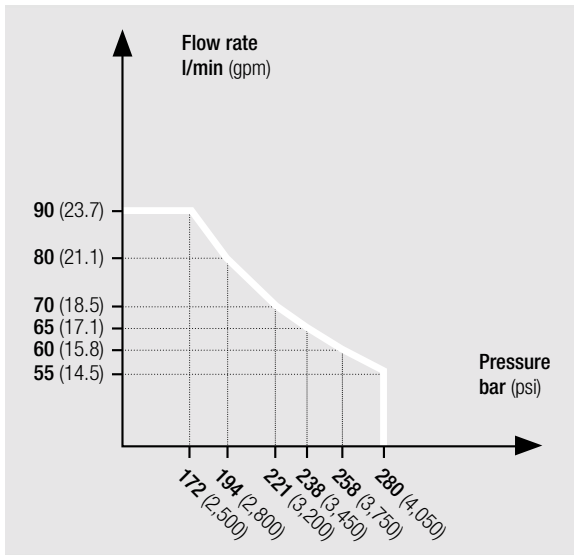


# 7.9.11MWR HYDRAULIC ATTACHMENTS

**NOTE**  
METRIC MEASUREMENTS ARE THE CRITICAL VALUES  
• 1 Litre = 0.26417 US Liquid Gallons  
• 1 Litre = 0.21997 Imperial Liquid Gallons

## 7MWR

**FLOW RATE / PRESSURE AUXILIARY 1 (PROPORTIONAL)**

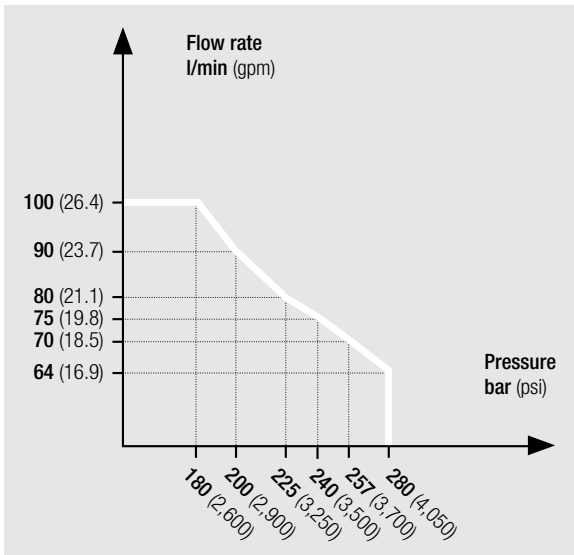


AUXILIARY LINE 2	DATA
Offset cylinder diverted (clamshell rotation)	
Flow rate maximum	30 l/min (7.9 gpm)
Pressure	280 bar (4,050 psi)
Controls	Proportional as option

AUXILIARY LINE 3	DATA
Bucket cylinder diverted (clamshell function)	
Flow rate maximum	80 l/min (21.1 gpm)
Pressure maximum	280 bar (4,050 psi)

## 9MWR

**FLOW RATE / PRESSURE AUXILIARY 1 (PROPORTIONAL)**

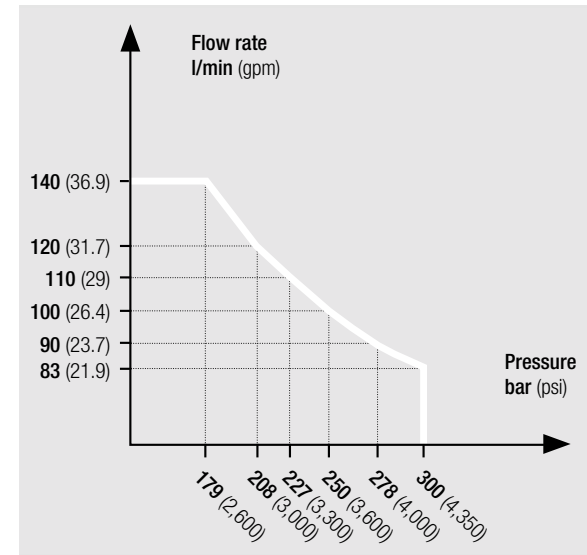


AUXILIARY LINE 2	DATA
Offset cylinder diverted (clamshell rotation)	
Flow rate maximum	30 l/min (7.9 gpm)
Pressure	280 bar (4,050 psi)
Controls	Proportional as option

AUXILIARY LINE 3	DATA
Bucket cylinder diverted (clamshell function)	
Flow rate maximum	80 l/min (21.1 gpm)
Pressure maximum	280 bar (4,050 psi)

## 11MWR

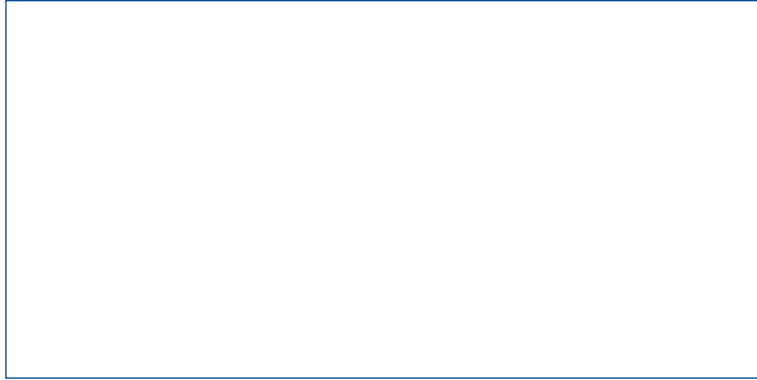
**FLOW RATE / PRESSURE AUXILIARY 1 (PROPORTIONAL)**



AUXILIARY LINE 2	DATA
Offset cylinder diverted (clamshell rotation)	
Flow rate maximum	30 l/min (7.9 gpm)
Pressure	300 bar (4,350 psi)
Controls	Proportional as option

AUXILIARY LINE 3	DATA
Bucket cylinder diverted (clamshell function)	
Flow rate maximum	120 l/min (31.7 gpm)
Pressure maximum	300 bar (4,350 psi)





**MECALAC FRANCE S.A.S.**  
2, avenue du Pré de Challes  
Parc des Glaisins – CS 40230  
Annecy-le-Vieux  
FR - 74942 Annecy Cedex  
Tel. +33 (0)4 50 64 01 63

**MECALAC BAUMASCHINEN  
GMBH**  
Am Friedrichsbrunnen  
D-24782 Büdelsdorf  
Tel. +49 (0)43 31/3 51-319

**MECALAC CONSTRUCTION  
EQUIPMENT UK LTD**  
Unit 1, Mallory Way  
Gallagher Business Park  
Coventry, CV6 6PB, UK  
Tel. +44 (0)24 7633 9400

**MECALAC İŞ MAKİNELERİ  
SAN. VE TİC. LTD. ŞTİ.**  
Ege Serbest Bölgesi  
Zafer SB Mahallesi Gündüz Sokak No:17/1  
35410, Gazimir - İzmir - TÜRKİYE  
Tel. +90 232 220 11 15



[WWW.MECALAC.COM](http://WWW.MECALAC.COM)