

M450h & M450m
BRUSH
MULCHER

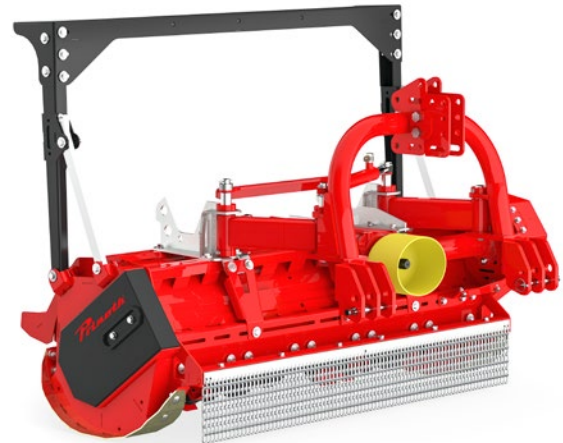


Pionoth

M450h & M450m

The new M450 series is a lightweight brush mulcher that has been specially developed as an attachment for remote controlled carriers. The mulcher is also suitable for mini skid steers with standard flow, i.e. on boom arms or as an attachment to wheel loaders.

For PTO driven carriers such as remote controlled mowers or small tractors, the product range M450m is available.

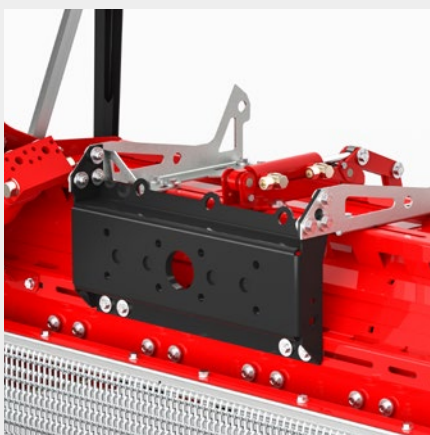


M450H – HYDRAULIC DRIVE

- Volume flow from 14.5 – 29 gpm
- Perfect for maintenance of green spaces and light urban works
- Axial piston motor
- Suitable for mulching of scrub and branches without problems

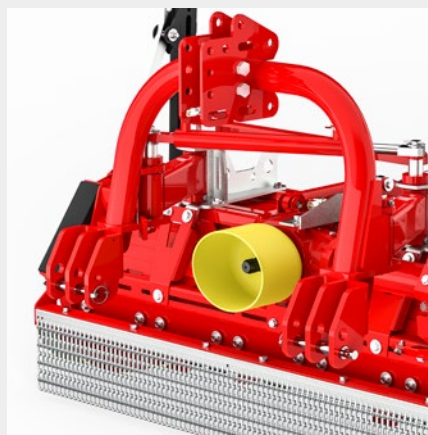
M450M – MECHANICAL DRIVE

- Power range 54 – 90 HP
- Ideal for rough terrain
- Best cutting results with the BCS tool system
- Transmission independent of rotation direction, therefore suitable for front and rear mounting



HYDRAULIC INTERFACE

Customized interfaces for simple mounting / demounting on various carriers with different options available, e.g. RAPTOR 100, Robomax, MDB, Robocut and many others.



MECHANICAL INTERFACE

The M450m 3 point KAT II linkage is available with mechanical or hydraulic offset, or as a rigid variant.



DRIVE

The efficient drive, available on the left or right side, with 3 flexible V-belts, provides efficient overload protection.

BCS

BCS stands for “Bite Control System”. It effectively controls the depth of bite for consistent mulching results. BCS rings around the rotor also reduce impacts and shock loading on the drive line.

The tooling of the rotor can be easily exchanged and adapted to the application. Mixed tool setups are useful in applications with ground contact to achieve an optimum balance between cutting performance and tool life.



BCS03

Single-edged, sharp, hardened blade for shredding above the ground. Mounted on standard tool holder.



BCS06

Narrow single-edged, sharp and hardened blade, especially suitable for carriers with low volume flow (low flow) as well as low drive power.



BCS02

Three-edged carbide tool with staggered cutting edges for wear intensive and sandy work. Low power requirement due to angled carbide inserts and additional wear protection on the holder.

Technical Data	1250	1350	1450	1600
Power range	54 – 90 HP (40 – 66 kW)	68 – 90 HP (50 – 66 kW)	75 – 90 HP (55 – 66 kW)	80 – 90 HP (59 – 66 kW)
Volume flow	14.5 – 29 gpm (55 – 110 l/min)			
Hydraulic motor	34 cc / 47 cc piston motor with overrun valve			
Drive	V-belt			
Max. pressure	5,070 psi (350 bar)			
Rotor diameter	17.7 in (450 mm)			
Tools	26x BCS	28x BCS	30x BCS	32x BCS
Working width	49.2 in (1,250 mm)	53.1 in (1,350 mm)	57 in (1,450 mm)	63 in (1,600 mm)
Total width	57 in (1,450 mm)	61 in (1,550 mm)	65 in (1,650 mm)	71 in (1,800 mm)
Weight*	1,014 lbs (460 kg)	1,124 lbs (510 kg)	1,191 lbs (540 kg)	1,676 lbs (760 kg)

*Weight depending on the configuration of the machine.



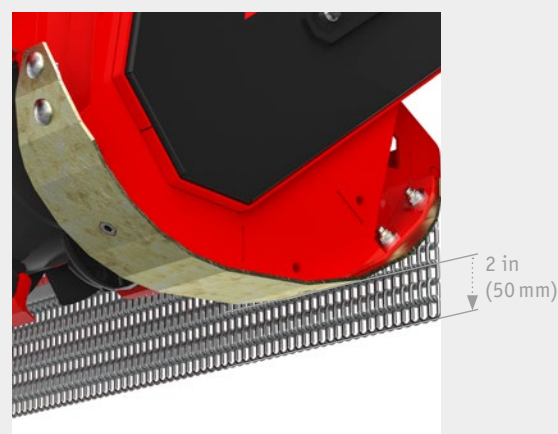
PUSH BAR

The push bar guides taller material into the rotor in a targeted and safe manner. The fixed push bar has two mounting positions. A hydraulic push bar is optionally available for both the M450h and M450m.



HOUSING WITH COUNTER BLADES

As standard, the M450 housing is made out of HARDOX. Two exchangeable counter blades provide additional shredding of the material to obtain the best possible mulching results.



SKID

For adaptation to specific grounds, the HARDOX skids can be adjusted in three heights up to 2 inches (50 mm).

PRINOTH GmbH

Im Branden 15
88634 Herdwangen
GERMANY
Tel. +49 7557 92120
prinoth.germany@prinoth.com

PRINOTH AG

Brennerstraße 34
39049 Sterzing
ITALY
Tel. +39 0472 72 26 22
prinoth@prinoth.com

PRINOTH Ltd.

1001 J.-A. Bombardier Street
Granby Qc J2J 1E9
CANADA
Tel. +1 450 776 3600
sales.na@prinoth.com

Locate your nearest sales and service points at www.prinoth.com

© 2022. Technical specifications depend on equipment and may vary. Illustrations may contain optional features that do not come as standard. PRINOTH reserves the right to make changes and updates at any time without prior notice. Version 05/2022