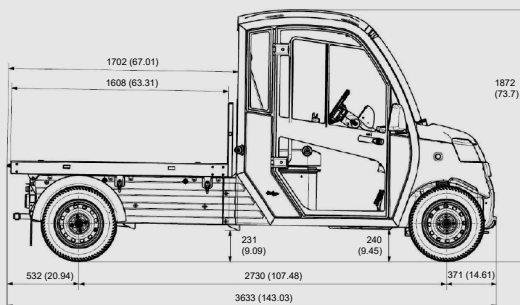
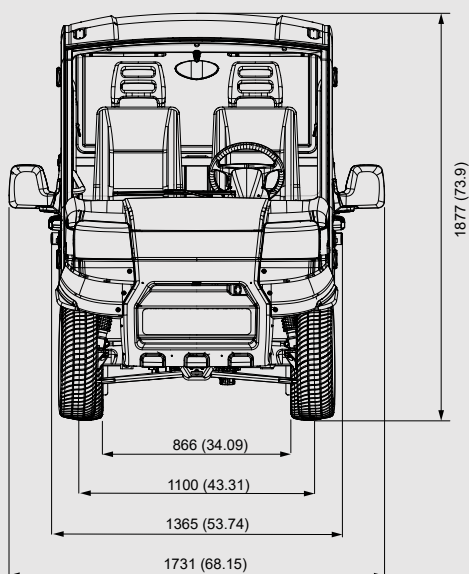


SHORT WHEEL BASE



LONG WHEEL BASE

LONG WHEEL BASE

SHORT WHEEL BASE

MOTOR	48V High efficient 3-phase AC engine
NOMINAL POWER	12 kW (16,1 hp)
PEAK POWER	18,2kW (24,4 hp)
MAX TORQUE	70 Nm
MOTOR CONTROLLER	Curtis 450 A
CHASSIS	Hot dip galvanized steel frame
BRAKES	Discs front, drums rear
SUSPENSIONS	Independent coil over
TIRES	165/70 R13
TOW LOAD CAPACITY	550 kg

PERFORMANCE

TOP SPEED	50 km/h (31 mph)
OPERATING GRADE	< 20 %

MASS

MAX. GROSS PAYLOAD	1 000 kg (2 205 lbs)	500 kg (1 102 lbs)
MASS IN RUNNING ORDER*	550 kg (1 213 lbs)	536 kg (1 182 lbs)
TECHNICALLY PERMISSIBLE MAX. MASS	1 850 kg (4 079 lbs)	1 350 kg (2 976 lbs)

DIMENSIONS

LENGTH	3 633 mm (143 in)	3 272 mm (129 in)
LENGTH WITH ADDITIONAL CHASSIS EXTENSION	4 149 mm (163 in)	3 635 mm (143 in)
WIDTH (W/ W.O. MIRRORS)	1 731 mm (68 in) / 1 365 mm (54 in)	1 731 mm (68 in) / 1 365 mm (54 in)
HEIGHT	1 877 mm (74 in)	1 877 mm (74 in)
WHEELBASE	2 730 mm (107 in)	2 130 mm (84 in)
OUTER TURNING RADIUS	4 250 mm (167 in)	3 400 mm (134 in)

BED OPTIONS

PICKUP BED	1,6 and 2,1 m fixed + tipping	1,25 m fixed + tipping and 1,6 m fixed
VAN BOX	2,1, 2,8 and 4,1 m ³	1,6 and 2,1 m ³

BATTERY (LWB & SWB can be supplied with either 10,2 or 13,6kWh batteries)

CAPACITY	10,2 kWh	13,6 kWh
VOLTAGE	51,2 V	51,2 V
WEIGHT	137 kg (302 lbs)	150 kg (331 lbs)
CHARGE TIME	6-8 hrs	8-10 hrs
RANGE (WLTP)	105 km (65 miles)	145 km (90 miles)

STANDARD FEATURES

Digital instrument cluster, speed switch, rear lights, rear fog light, secure storage locker, dash storage compartment, automatic parking brake, safety cab, 3 pt seat belts, rear bumper, horn, all season road tyres, adjustable twin seats, heated windscreen, wash/wipe pack, mirror pack, deluxe cab pack (sun visors, 12 volt outlet, interior light), lithium battery, lockable cab doors, AVAS system with reverse buzzer, automatic door locks

OPTIONAL FEATURES

Right hand drive, tow ball, cab heater, stereo + USB plug, refrigerator, reverse camera, roof beacon

*battery weight not included