



# Multihog<sup>®</sup>

One Machine - One Operator - Endless Applications



[www.multihog.com](http://www.multihog.com)



# CV MULTI-PURPOSE SWEEPER

## MORE THAN JUST A SWEEPER

- Compact, multi-purpose sweeper available in either 3500 kg (7716 lb) or 4000 kg (8818 lb) GVW models.
- Dedicated all-terrain vehicle with the option to change front brushes to other attachments (snow plough/mower/etc.).
- Boasts one of the cleanest engines on the market with environmentally friendly stage V emissions.
- All sweeper functions are controlled from a floating multifunctional armrest, which is ergonomic and moves with the operator.
- Each brush is independently controlled via miniature joystick; a third brush may be added if required.
- Incredibly simple operation – switch from drive mode to sweep mode and back again at the push of just one button.
- Built-in heavy-duty cooling for working in hot climates and features a 200 litre (53 US gal) water tank for optimal dust suppression.
- Full independent spring and damper suspension on each wheel creates a superbly comfortable working environment.
- Tested to the PM 2.5/PM 10 industry standard for particulate matter and achieved highest rating available (4 stars).



# MULTIHOG STORY

Launched in 2008, Multihog has been a leader in the multi-purpose tractor field for many years now. Designed and produced in our Irish factory, we export our products across the globe to a wide range of customers including municipalities, airports and contractors.

Multihog products are built for countless different tasks, to ensure that you maximise your investment 365 days of the year. Our R&D department is constantly innovating, and is led by our directors, who share more than 70 years of machinery production experience:



**Jim McAdam | Managing Director**

Jim spent a large part of his career as Managing Director of Moffett Ltd., the reverse drive tractor & truck-mounted forklift manufacturer. A trained engineer, he was pivotal in the development of the very successful Moffett Mouny truck-mounted forklift, with more than 55,000 units sold worldwide.



**Gerry McHugh | Technical Director**

Like Jim, Gerry also began his career as an engineer with Moffett Ltd., before taking over as Managing Director of Aisle-Master Ltd. There he led the development of the narrow aisle forklift, a machine which can increase warehouse capacity by up to 50% thanks to its ability to work in very narrow spaces.





# A MULTIHOG FOR EVERY TASK: JUST CHOOSE YOUR MODEL

## CL

55 – 75 HP Kohler engine  
**Length:** 3490 - 3680 mm (137 in - 145 in)  
**Width:** 1150 - 1560 mm (45 - 62 in)  
**Height:** 2000 - 2100 mm (79 - 83 in)



## CX

55 – 75 HP Kohler engine  
**Length:** 3490 - 3680 mm (137 in - 145 in)  
**Width:** 1150 - 1560 mm (45 - 62 in)  
**Height:** 2000 - 2100 mm (79 - 83 in)



## MXC LP

100 – 120 HP Deutz engine  
**Length:** 3975 mm (157 in)  
**Width:** 1300 - 1650 mm (51 - 65 in)  
**Height:** 2005 - 2090 mm (79 - 82 in)



## MXC

100 – 120 HP Deutz engine  
**Length:** 3975 mm (157 in)  
**Width:** 1300 - 1650 mm (51 - 65 in)  
**Height:** 2180 - 2260 mm (86 - 89 in)



## MX

100 – 120 HP Deutz engine  
**Length:** 3975 mm (157 in)  
**Width:** 1530 - 1650 mm (60 - 65 in)  
**Height:** 2180 - 2260 mm (86 - 89 in)



## MH

75 HP Kohler engine  
**Length:** 3400 mm (134 in)  
**Width:** 1960 mm (77 in)  
**Height:** 2400 mm (95 in)



# GENERAL FEATURES

## ROBUST ARTICULATION JOINT

The incredibly strong articulation joint is manufactured from the highest grade of steel and is built to withstand years of continuous operation in the field.

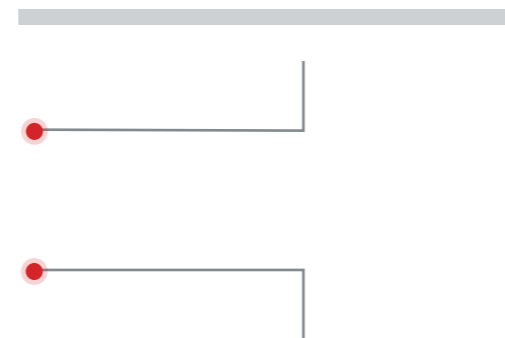


## SUPERIOR QUALITY

Each Multihog part designed by our in-house R&D team is tested extensively for quality and durability using the most advanced engineering software available.

## MANOEUVRABILITY

The Multihog's articulated design ensures superb manoeuvrability and the 360° unrestricted cabin view helps to avoid possible obstacles during operation.



## COMFORT AND SAFETY

The Multihog offers first class comfort thanks to its spacious cabin with low noise levels. Risk of accident is also reduced via the fully enclosed PTO shaft.

# CARRYING CAPACITY

Unlike other tractors, the Multihog has unrivalled carrying capacity with 3 attachment carrying areas: front, rear and top deck. Gross vehicle weight for the range varies from 3500 – 7000 kg (7,716 – 15,432 lb).





# SIMPLE SERVICEABILITY

1 Operator cabin tilts forward to allow 360° access for personnel performing mechanical checks and maintenance.

2 Attachments are mounted and demounted in minutes, thanks to a simple connection method.

3 Rear panels open wide for unrestricted access to the engine compartment – ideal for servicing and maintenance.





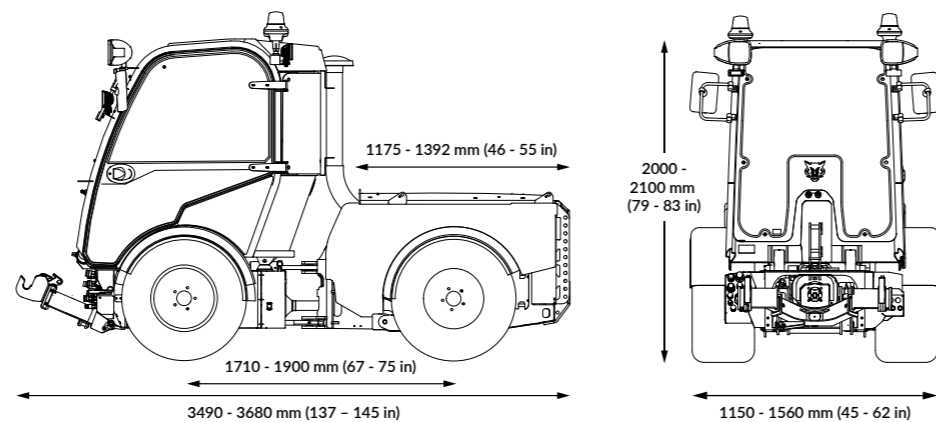


# MULTIHOG CL RANGE



## TECHNICAL SPECIFICATION

- Engine: 55 - 75 HP (1.9 - 2.5 litre) Kohler, diesel
- Emissions class: Tier 4 final
- Length: 3490 - 3680 mm (137 - 145 in)
- Width: 1150 - 1560 mm (45 - 62 in)
- Height: 2000 - 2100 mm (79 - 83 in)
- Unladen weight: 1950 - 2500 kg (4300 - 5512 lb)
- Gross vehicle weight: 3500 - 4000 kg (7716 - 8818 lb)
- Axle capacity, front: 2300 - 2500 kg (5071 - 5512 lb)
- Axle capacity, rear: 2500 kg (5512 lb)
- Outer turning radius: 2663 - 3134 mm (105 - 123 in)
- Load-sensing PTO hydraulics front & rear
- Hydraulic flow up to 90 litres per min (24 US gpm)
- Operating pressure up to 250 bar (3626 psi)

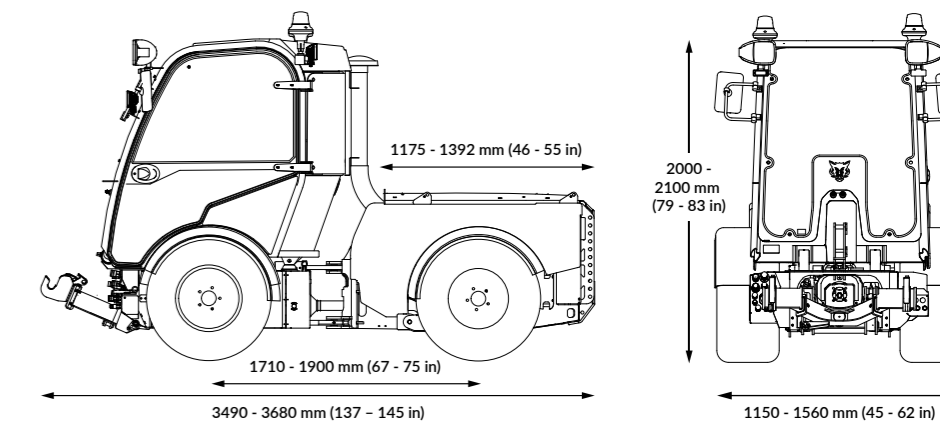


# MULTIHOG CX RANGE



## TECHNICAL SPECIFICATION

- Engine: 55 - 75 HP (1.9 - 2.5 litre) Kohler, diesel
- Emissions class: Tier 4 final
- Length: 3490 - 3680 mm (137 - 145 in)
- Width: 1150 - 1560 mm (45 - 62 in)
- Height: 2000 - 2100 mm (79 - 83 in)
- Unladen weight: 2100 - 2500 kg (4630 - 5512 lb)
- Gross vehicle weight: 3500 - 4000 kg (7716 - 8818 lb)
- Axle capacity, front: 2300 - 2500 kg (5071 - 5512 lb)
- Axle capacity, rear: 2500 kg (5512 lb)
- Outer turning radius: 2663 - 3134 mm (105 - 123 in)
- Load-sensing PTO hydraulics front & rear, with optional front mechanical PTO
- Hydraulic flow up to 100 litres per min (26 US gpm)
- Operating pressure up to 250 bar (3626 psi)

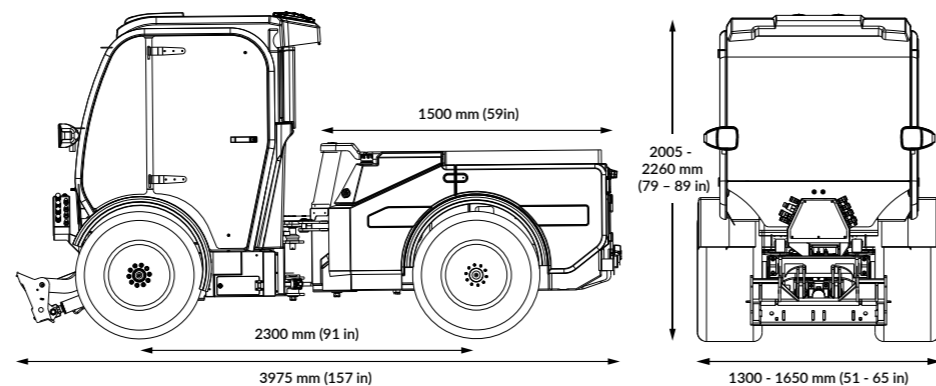


# MULTIHOG MX RANGE



## TECHNICAL SPECIFICATION

- Engine: 100 - 120 HP (3.6 litre) Deutz, diesel
- Emissions class: III B (Tier 4i)
- Length: 3975 mm (157 in)
- Width: 1300 - 1650 mm (51-65 in)
- Height: 2005 - 2260 mm (79 - 89 in)
- Unladen weight: 3400 - 3460 kg (7496 - 7628 lb)
- Gross vehicle weight: 7000 kg (15,432 lb)
- Axle capacity, front: 3500 kg (7716 lb)
- Axle capacity, rear: 4500 kg (9920 lb)
- Load-sensing PTO hydraulics front & rear
- Hydraulic flow up to 120 litres per min (32 US gpm)
- Operating pressure up to 250 bar (3626 psi)

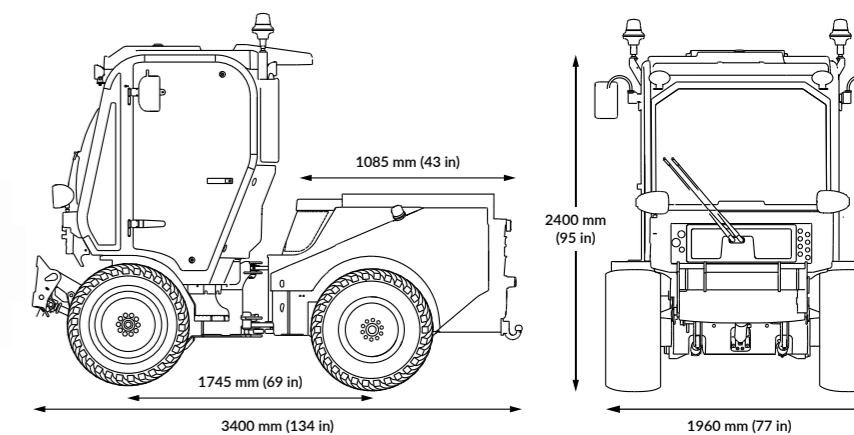


# MULTIHOG MH RANGE



## TECHNICAL SPECIFICATION

- Engine: 75 HP (2.5 litre) Kohler, diesel
- Emissions class: Tier 4 final
- Length: 3400 mm (134 in)
- Width: 1960 mm (77 in)
- Height: 2400 mm (95 in)
- Unladen weight: 3290 kg (7254 lb)
- Gross vehicle weight: 6000 kg (13,228 lb)
- Axle capacity, front: 3500 kg (7716 lb)
- Axle capacity, rear: 4000 kg (8818 lb)
- Load-sensing PTO hydraulics front and rear
- Hydraulic flow up to 120 litres per min (32 US gpm)
- Operating pressure up to 250 bar (3626 psi)







**Multihog**<sup>®</sup>

One Machine - One Operator - Endless Applications

Your local authorised dealer is:

🏠 Multihog Limited, Finnabair Business Park, Dundalk, Co. Louth, A91 CY92, Ireland

☎ +353 42 9386738 / 443 852 1842 (US/CA)

✉ info@multihog.com

🌐 www.multihog.com

This brochure provides a general guide to the products & services offered by Multihog Limited. Due to our policy of continuous improvement, reasonable alterations & changes to the specifications of our products may take place subsequent to the publication of this brochure & we reserve the right to make such changes without prior notice. The images which appear throughout this document are for illustration purposes only. Product colours may differ slightly from those shown due to limitations of the print process. Illustrations may also show attachments, accessories & optional extras which are not included in the standard specification of a product. Some of our products/services shown may not be available in certain countries. To receive current & more specific information on our products, please contact Multihog Limited for assistance. © Multihog Limited 2019.