

MOD.

MOD.

NEW EUROFILO HQ

13 2 7.5 HQ	12.5 m	7.5 m	AA 200 kg	* 360°	x	90°+ 90°
14 2 19 HQ	14 m	9 m	AA 200 kg	* 360°	x	90°+ 90°
17 2 8.5 HQ	17 m	8.5 m	AA 200 kg	* 360°	x	90°+ 90°
17 2 11 HQ	17 m	11 m	AA 200 kg	* 360°	-	90°+ 90°
17 2 12 HQ	17 m	12 m	AA 250 kg	* 360°	-	90°+ 90°
19 2 8.5 HQ	19 m	8.5 m	AA 200 kg	* 360°	x	90°+ 90°
19 2 11 HQ	19 m	11 m	AA 200 kg	* 360°	-	90°+ 90°
19 2 14 HQ	19 m	14 m	AA 250 kg	* 360°	-	90°+ 90°

MINITRUCKS

XMINI 12	12 m	4.5 m	AA 200 kg	180°+180°	x	-
XMINI 14	14 m	6.2 m	AA 200 kg	180°+180°	x	-
14 2 6 HQ JIB	14 m	6 m	AA 200 kg	* 360°	-	90°+ 90°
16 2 7.5 HQ JIB	16 m	7.5 m	AA 200 kg	* 360°	-	90°+ 90°

LEOPARD

LEOPARD	21.3 m	11 m	AA 265 kg	360°+40°	-	60°+ 60°
----------------	--------	------	-----------	----------	---	----------

X RANGE

X4 12	12 m	4.5 m	AA 150 kg	180°	-	-
X4 14	14 m	6.5 m	AA 120 kg	180°	-	-
X TRACTOR 12	12 m	4.5 m	AA 200 kg	180°	-	-
X TRAILER 12	12 m	4.5 m	AA 200 kg	360°	-	-
X TRAILER 14	14 m	6.5 m	AA 200 kg	360°	-	-
XIRAFFE	12 m	4.5 m	AA 150 kg	360°	-	-

NEW EUROSKY HQ

18 2 7.5 HQ	18 m	7.5 m	AA 200 kg	* 360°	x	90°+ 90°
20 2 10 HQ JIB	20 m	10 m	AA 200 kg	* 360°	-	90°+ 90°
21 2 19 HQ	21 m	9 m	AA 200 kg	* 360°	-	90°+ 90°
22 2 10 HQ JIB	22 m	10 m	AA 200 kg	* 360°	-	90°+ 90°
20 2 19 HQ LOW VERSION	20 m	9 m	AA 200 kg	* 360°	-	90°+ 90°
21 2 9.5 HQ JIB LOW VERSION	21 m	9.5 m	AA 200 kg	* 360°	-	90°+ 90°
26 2 13 HQ JIB	26 m	13 m	AA 250 kg	* 360°	-	90°+ 90°
28 2 14 HQ	28 m	14 m	AA 250 kg	* 360°	-	90°+ 90°
31 2 17 HQ JIB	31 m	17 m	AA 250 kg	* 360°	-	90°+ 90°

INSULATED

VAN MOUNTED NEW EUROFILO HQ 14 2 8 JIB ANSI 46 KV	14 m	8 m	AA 200 kg	* 360°	x	-
NEW EUROFILO 14 2 9.5 HQ JIB ANSI 46 KV	14 m	9.5 m	AA 250 kg	* 360°	x	90°+ 90°
EUROFILO 18 2 8 ANSI 12 KV	18 m	8 m	AA 250 kg	* 360°	-	-
EUROSKY 21 2 14 ANSI 46 KV	21 m	14 m	AA 250 kg	* 360°	-	90°+ 90°

EUROSKY-T

31 2 14 T	31 m	14 m	AA 250 kg	360°	-	90°+ 90°
38 2 14 T	38 m	14 m	AA 250 kg	360°	-	90°+ 90°
45 2 20 T	45 m	20 m	AA 250 kg	360°	-	90°+ 90°

VAN MOUNTED

NEW EUROFILO 14 2 8 JIB VAN	14 m	8 m	AA 200 kg	* 360°	x	-
X VAN 12	12 m	4.5 m	AA 200 kg	180°	x	-
X VAN 14	14 m	6.2 m	AA 150 kg	180°	x	-

SOLAR

SOLAR 11	11 m	3.5-4 m	400 kg	-	x	± 90°±1 m
SOLAR 15	15 m	3.5-4 m	400 kg	-	x	± 90°±1 m

EUROSKY

13.5 2 5.7 SL	13.5 m	5.7 m	AA 200 kg	* 360°	x	-
--------------------------	--------	-------	-----------	--------	---	---

EUROSKY

- Altezza di lavoro
- Working height
- Hauteur de travail
- Arbeitshöhe
- Rotazione * 360° continui
- Rotating * Continuous 360°
- Rotation * 360° continus
- Drehung * 360° stufenlos
- Braccio laterale
- Maximum outreach
- Déport latéral
- Seitliche Reichweite
- Rotazione idraulica della navicella
- Rotating basket hydraulically operated
- Rotation de la nacelle à fonctionnement hydraulique
- Hydraulische Korbdrehung
- Stabilizzatori sempre in sagoma per garantire massima sicurezza e velocità di piazzamento
- In shape outriggers to assure highest safety and easiest placing
- Béquilles en gabarit qui assurent toute sécurité et un placement très facile
- Abstützungen innerhalb der Fahrzeugkontur, um maximale Sicherheit und eine rasche Positionierung zu gewährleisten
- Disponibile versione ecologica con olio biodegradabile
- Now available ecological model with biodegradable oil
- Maintenant disponible version écologique avec huile biodegradable
- Auch in der Öko-Version mit biologisch abbaubarem Öl erhältlich

Head Office - Show Room - Factory:
Via Castellfranco, 46 - Località Tivoli - 40017 San Giovanni in Persiceto (BO) ITALY
Phone +39.051.6878711 - Fax +39.051.799902
Email: info@officinecomet.com - Website: www.officinecomet.com

UNI EN ISO 9001:2008 Certificate No. 69999-2010-AQ-ITA-SINCERT
OHSAS 18001:2007 Certificate No. 172436-2015-AHSO-ITA-RvA

EUROSKY

- Portata in navicella (max. 2 persone)
- Basket's working load (max. 2 persons)
- Charge utile dans le panier (max. 2 personnes)
- Tragkraft des Hebekorbs (max. 2 Personen)
- Sicurezza al 100%
- 100% safe
- Sécurité au 100%
- 100% Sicherheit

INSULATED COMET OFFICINE

14 | 2 | 8 HQ JIB ANSI 46 KV

Min. GVW 3.5 Ton
All available with in shape outriggers H type

14 | 2 | 9.5 HQ JIB ANSI 46 KV

Min. GVW 9 Ton
All available with in shape outriggers H type

18 | 2 | 8 ANSI 12 KV

Min. GVW 5 Ton

INSULATED COMET OFFICINE

21 | 2 | 14 ANSI 46 KV

Min. GVW 9 Ton

1 KV BASKET AND TRUCK

Min. GVW 9 Ton

EUROSKY COMET OFFICINE

13.5 | 2 | 5.7 SL

Min. GVW 3.5 Ton

SOLAR COMET OFFICINE

TRUCK MIN GVW 5 TON

TRUCK MIN GVW 3.5 TON

LEOPARD COMET OFFICINE

CRANES XTRUX SPECIAL EQUIPMENTS

XC 33 → XC 190

Available with JIB

CRANES-T XTRUX SPECIAL EQUIPMENTS

XC 80 T → XC 190 T

SPECIAL XTRUX SPECIAL EQUIPMENTS



SALI CON NOI
CLIMB WITH US
MONTE AVEC NOUS
STEIGEN SIE MIT UNS AUF



NEW EUROFILO HQ
NEW EUROSKY HQ
EUROSKY-T
VAN MOUNTED
EUROSKY
MINITRUCKS

LEOPARD
X RANGE
INSULATED
SOLAR
CRANES
SPECIAL



Tecnologia e sicurezza per lavorare in quota
Safety and technology for aerial works
Technologie et sécurité pour travaux aériens
Technologie und Sicherheit bei der Arbeit in der Höhe



13 | 2 | 7.5 HQ




Min. GVW 3.5 Ton

14 | 2 | 9 HQ




Min. GVW 3.5 Ton


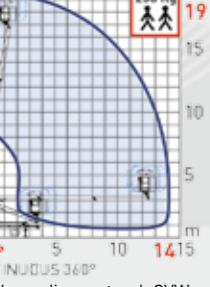
17 | 2 | 8.5 HQ
17 | 2 | 11 HQ
17 | 2 | 12 HQ




Min. GVW 3.5 Ton

Lateral outreach depending on truck GVW



19 | 2 | 8.5 HQ
19 | 2 | 11 HQ
19 | 2 | 14 HQ

Min. GVW 3.5 Ton

All available with in shape outriggers H type

18 | 2 | 7.5 HQ

Min. GVW 3.5 Ton
 Available with in shape outriggers H type

20 | 2 | 10 HQ JIB
22 | 2 | 10 HQ JIB




Min. GVW 3.5 Ton

21 | 2 | 9 HQ




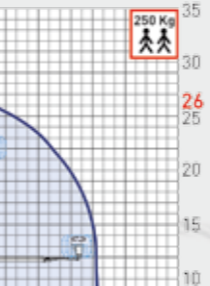

Min. GVW 3.5 Ton

20 | 2 | 9 HQ LOW VERSION
21 | 2 | 9.5 HQ JIB LOW VERSION




Min. GVW 3.5 Ton

26 | 2 | 13 HQ JIB

Min. GVW 6 Ton

28 | 2 | 14 HQ




Min. GVW 6 Ton

31 | 2 | 17 HQ JIB






Min. GVW 7 Ton

31 | 2 | 14 T




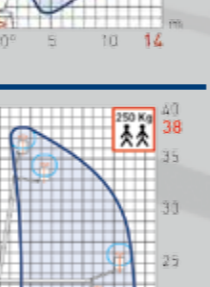

Min. GVW 16 Ton

31 | 2 | 14 T

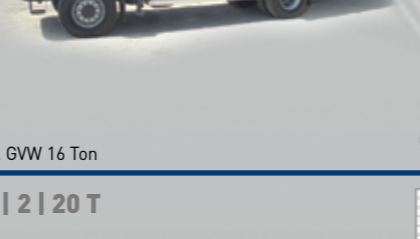
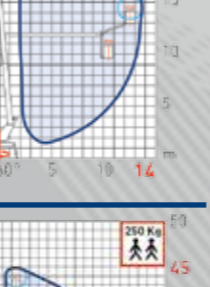
Min. GVW 16 Ton

38 | 2 | 14 T


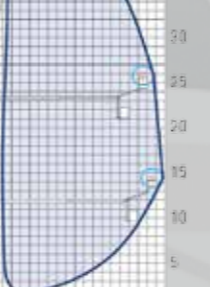
Min. GVW 16 Ton

45 | 2 | 20 T

Min. GVW 26 Ton

31 | 2 | 14 T

Min. GVW 16 Ton

NEW EUROSFILO 14 | 2 | 8 JIB VAN




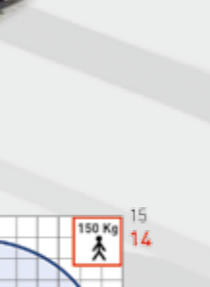

Min. GVW 5.2 Ton

X VAN



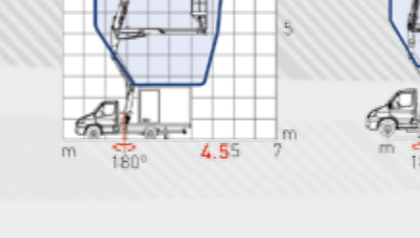
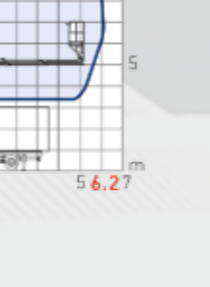

Min. GVW 3.5 Ton

14 | 2 | 8 JIB VAN

Min. GVW 2.2 Ton



16 | 2 | 7.5 HQ JIB

Min. GVW 2.2 Ton

X MINI

12 | 2 | 4.5 HQ

Min. GVW 1.9 Ton

14 | 2 | 6.2 HQ




Min. GVW 2.2 Ton

14 | 2 | 6 HQ JIB






Min. GVW 2.2 Ton

16 | 2 | 7.5 HQ JIB




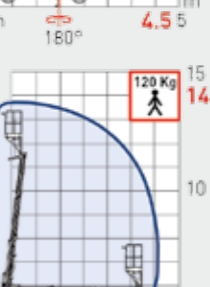

Min. GVW 2.2 Ton

X4

Min. GVW 2.8 Ton

X TRACTOR

Weight 1.650 kg

X TRAILER




The most compact unit!

L mm	W mm	H mm
3355	1800	2180


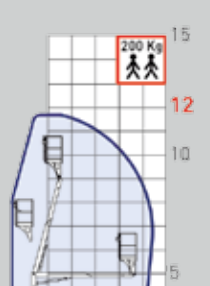
Weight 1.300 kg [XTRAILER 12]
 Weight 1.500 kg [XTRAILER 14]

XIRAFFE

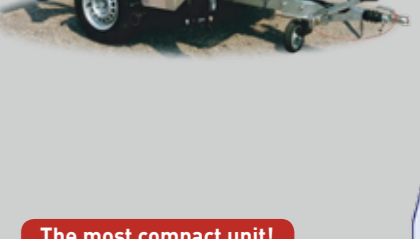
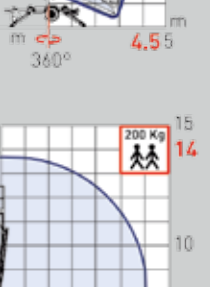



Weight 1.650 kg

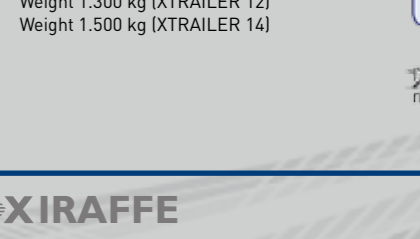
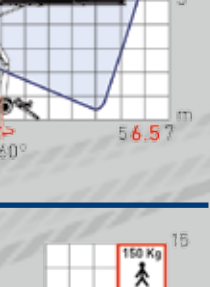
X TRAILER

X TRAILER

X TRAILER

XIRAFFE