

Assembly Instructions

WB400 Walk Behind Drop Salt Spreader

Check contents of box against the parts list to make sure all components are included. When ordering replacement or spare parts refer to the parts list for part numbers.

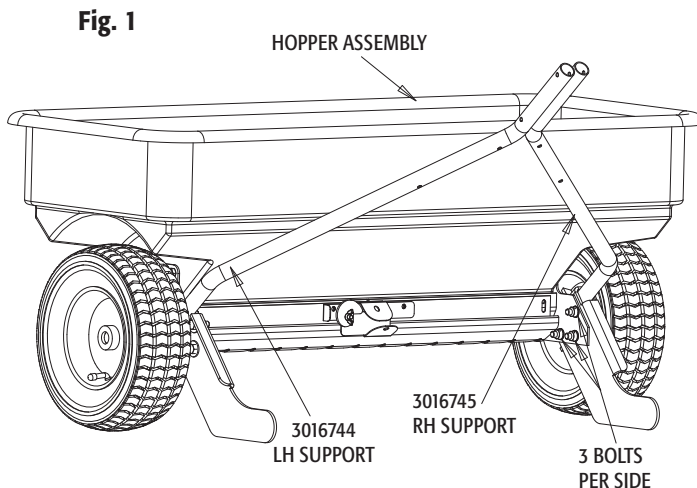
Tools Needed For Assembly

- (2) 7/16 Wrenches
- (2) 1/2 Wrenches
- (1) 5/32 Allen key

Assembly

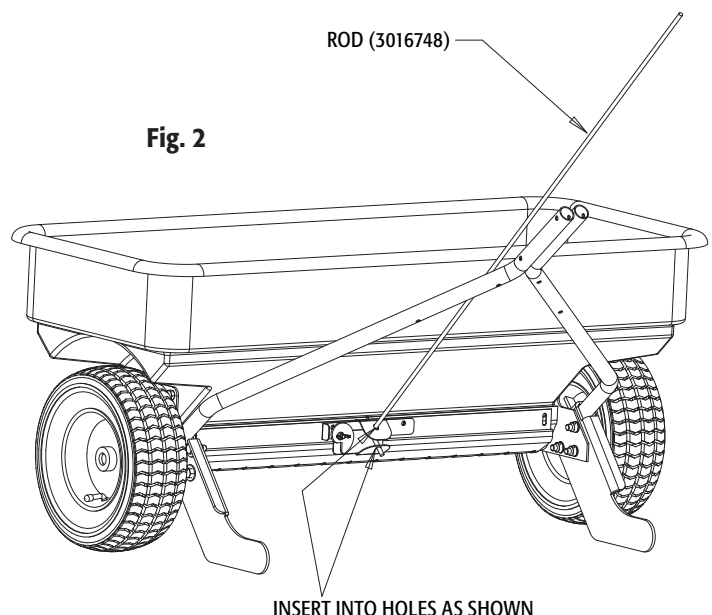
Attaching the supports, and Hopper. (see fig. 1)

- 1.** Remove contents from box and place the preassembled portion of the spreader upright on its wheels
- 2.** Assemble left hand support arm (3016744) & line up the holes, fasten with (3) 3/8-16 bolts, washers, lock washers, and nylock nuts. Threads of bolts should face away from wheels. Tighten fasteners.
- 3.** Assemble left hand support arm (3016745) & line up the holes, fasten with (3) 3/8-16 bolts, washers, lock washers, and nylock nuts. Threads of bolts should face away from wheel. Tighten fasteners.



Attaching the Linkage Rod (see fig. 2)

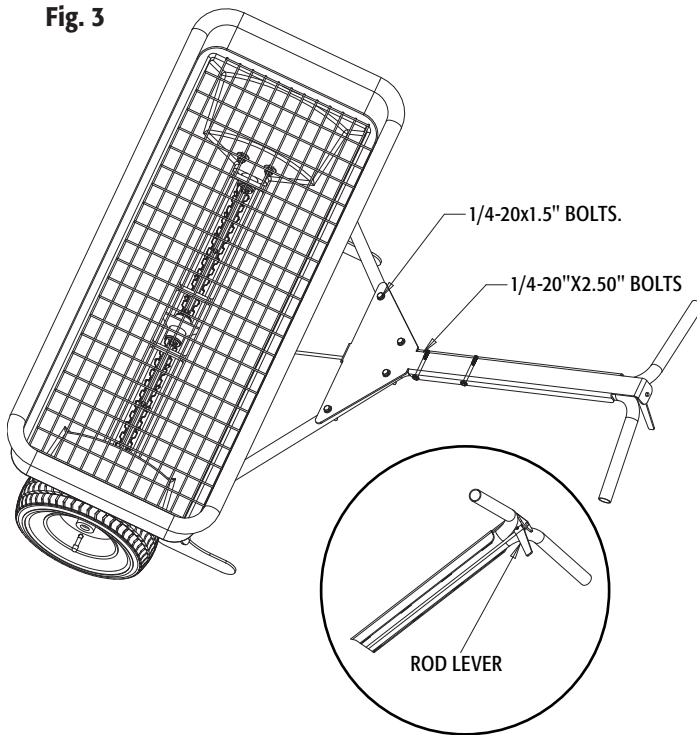
- 1.** Insert the 90 degree end of the linkage rod in the holes located in the lower middle of the hopper frame. The rod will remain loose until the handles are attached.



Attach Handle Assembly (see fig 3)

1. Assemble handle assembly to support arms by inserting handle tubes located under handle housing, into support tubes. At the same time insert the linkage rod into the hole provided at the top of the handle assembly. With the rod handle (3016760) inserted onto rod.
2. Align holes on handle assembly with holes in support tubes and fasten with 1/4-20 bolts, washers, and nylock nuts.
3. Use (4) 1/4-20 x 1.5" bolts on the triangular face of the handle assembly. And use (2) 1/4-20 x 2.50" on the handle portion.
4. Tighten all fasteners.

Fig. 3



Final Assembly

1. Check And Tighten All Fasteners
2. Place the Screen in the hopper.
3. Place grips on handles.
4. Install the Rain Cover on the hopper.

Operation

1. Before filling Hopper, ensure that the flow gate is fully closed by rotating the rod lever to the right (counter clockwise).
2. Ensure screen is in hopper.
3. Fill hopper with product.
4. Begin moving forward with the spreader.
5. Rotate the rod handle to open flow gate and allow material to flow. (finding the right location for the flow gate will depend on material used, and use preference.)
5. Before stopping, rotate the rod handle to the left to close the flow gate.

Maintenance

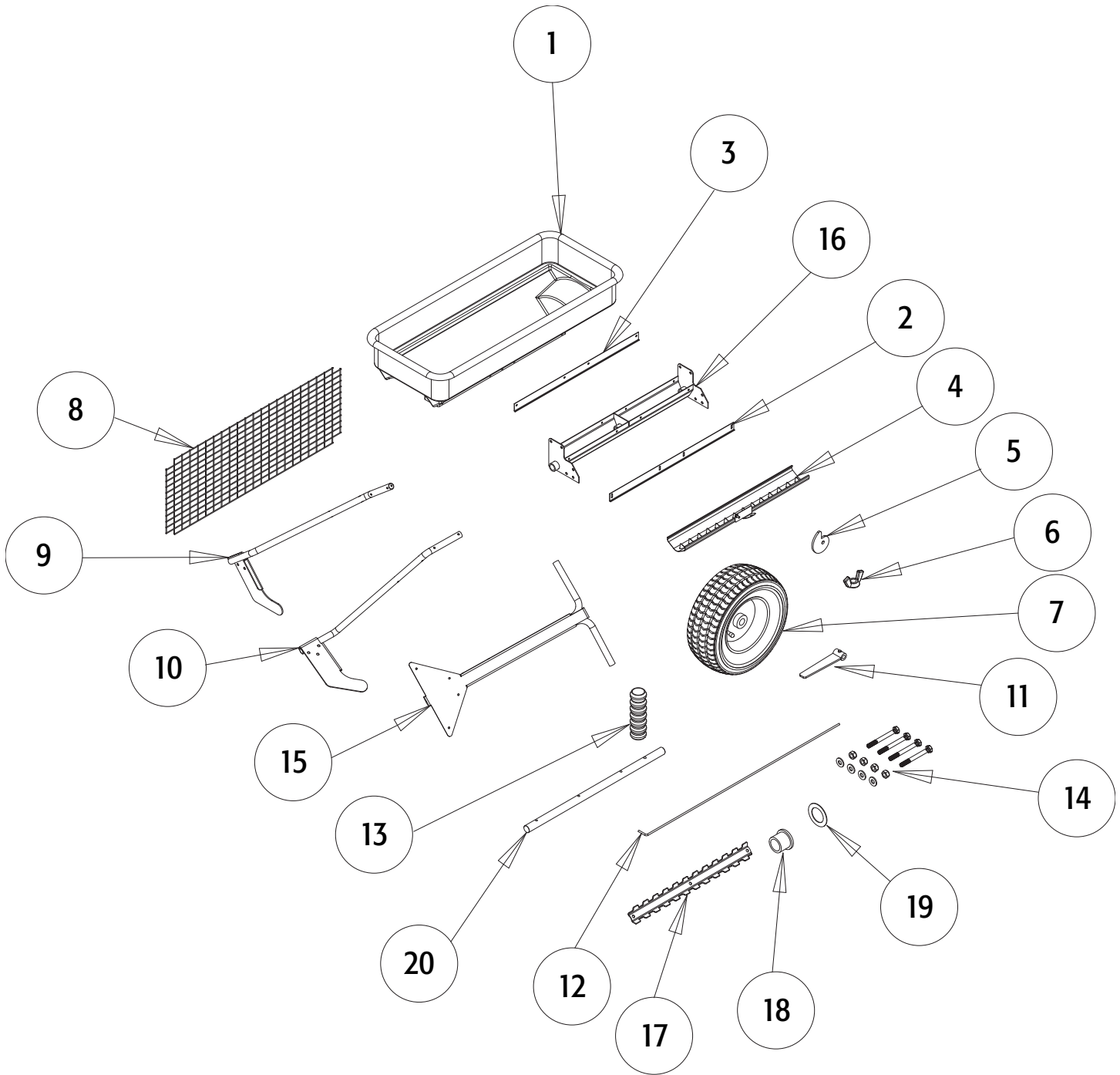
1. The Hopper should be completely emptied and cleaned before storage.
2. The Spreader should be washed and dried before storage.
3. Check that the flow gate and Linkage move freely. Clear out any debris between the Augers & the Hopper.
4. Check torque of all fasteners on a monthly basis.
5. Never leave salt in hopper. the will harden and will be difficult to remove.

Operation Notes:

1. The spreader is designed to be operated at a brisk walking pace (approx. 3 mph). Walking slower or faster will alter the distribution pattern and amount of the material, as will the moisture content of the material & other environmental factors.
2. Grease may be applied to the wheel axles, and moving parts as desired.

 **WARNING**

When filling hopper, make certain there are no large objects within the material. Objects larger than the openings in the Screen may cause the spreader to clog or even damage the drive system. Never leave material in the hopper when not in use.



Bill of Materials

ITEM	PART NO.	QTY.	DESCRIPTION
1	3016737	1	HOPPER
2	3016728	1	PLATE, RETAINER, REAR
3	3016727	1	PLATE, RETAINER, FRONT
4	3016730	1	DISCHARGE DOOR
5	3016749	1	CAM
6	3016751	1	WING NUT 1/2-20
7	3016736	2	WHEEL
8	3016738	1	SCREEN
9	3016744	1	SUPPORT ARM, LH
10	3016745	1	SUPPORT ARM, RH
11	3016760	1	HANDLE, ROD

ITEM	PART NO.	QTY.	DESCRIPTION
12	3016748	1	ROD
13	3009135	2	GRIP
14	3017036	1	HARDWARE KIT
15	3017962	1	HANDLE ASSEMBLY
16	3016721	1	FRAME
17	3016722	4	AUGER
18	3016734	4	BUSHING, NYLON
19	3017099	4	WASHER
20	3016735	2	AXEL
21	3017047	1	RAIN COVER

Warranty

Buyers Products Co. warrants all truck/trailer hardware manufactured or distributed by it, to be free from defects in material and workmanship for a period of one year from date of shipment. Parts must be properly installed and used under normal conditions. Any product which has been altered, including modification, misuse, accident or lack of maintenance will not be considered under warranty. Normal wear is excluded. The sole responsibility of Buyers Products Co. under this warranty is limited to repairing or replacing any part or parts which are returned, prepaid, and are found to be defective by Buyers Products Co. Authorization from Buyers Products Co. must be obtained before returning any part. No charges for transportation or labor performed on Buyers' products will be allowed under this warranty.